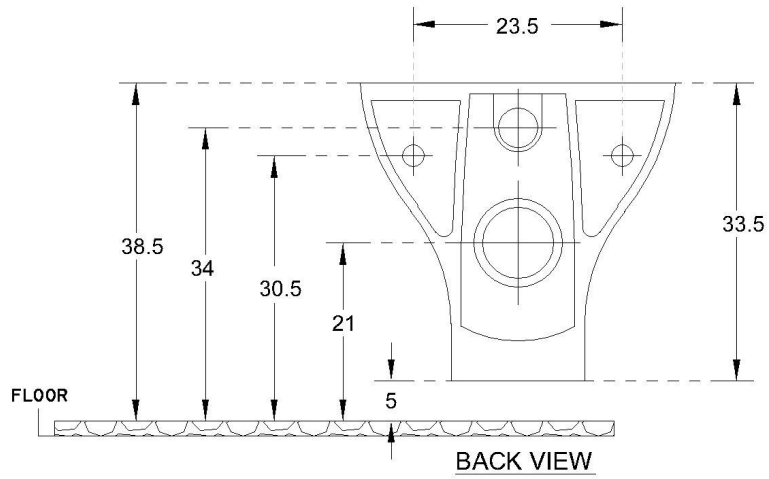


PLAN VIEW



CATALOGUE No.: 92039	
ITEM DESCRIPTION: EWC W/M TORRIN (35.5 x 55 x 33.5 cm)	
DRAWN:	UNIT: CM
CHECKED:	SCALE: 1:10
APPROVED:	DRG. No.: WC/093
DATE: 10.11.2008	REV. No.: 0