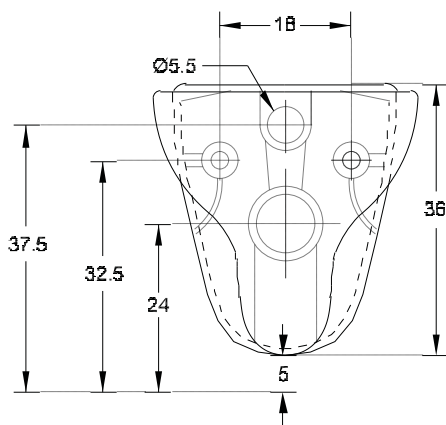
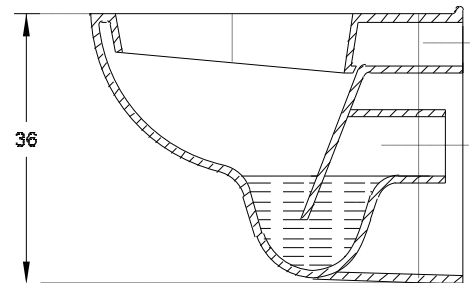


PLAN VIEW



FRONT ELEVATION



SECTIONAL VIEW

HSIL LIMITED, BAHADURGARH	
CATALOGUE No.:	20082
ITEM DESCRIPTION:	EVC WALL MOUNTING MARIO (35 x 50 x 36 cm)
DRN.	UNIT: CM
CHKD.	SCALE: 1:10
APPD.:	DRG. No. : WC/114
DATE: 15.03.2009	Rev. No. 0