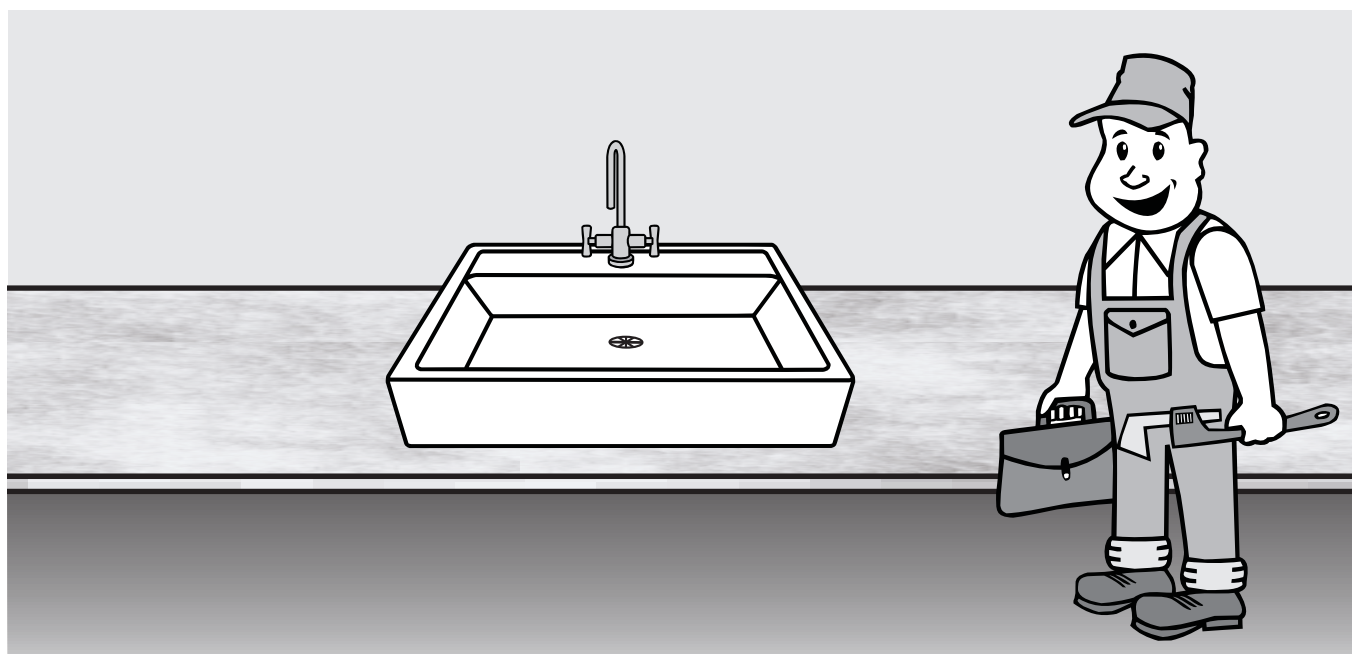


INSTALLATION INSTRUCTIONS FOR

Table Top Wash Basin



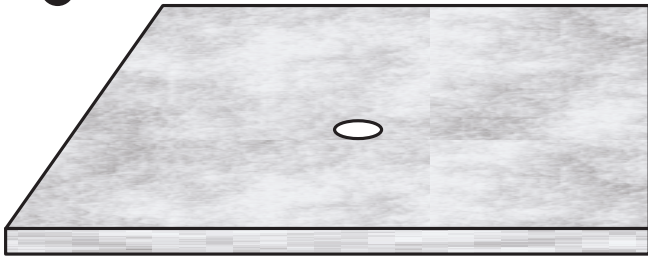
S. No.	Catalogue No.	Item Description
1.	10057	WB CRYSTAL 42.5 CM Ø
2.	10067	WB CORAL 52 CM Ø
3.	10069	WB MONALISA 46 CM Ø
4.	10071	WB TULIP 51 CM Ø
5.	10073	WB BLAMONT 65X46 CM
6.	10079	WB MAGNA 63X50 CM
7.	10092	WB DOVE 44X44 CM
8.	91009	WB ARMADA 67X40 CM
9.	91011	WB VENENZIA 53X46 CM
10.	91012	WB ENIGMA 52X46 CM
11.	91017	WB KATHY 71X46 CM
12.	91018	WB ALTOR 46X46 CM
13.	91022	WB CREST 68X46 CM
14.	91025	WB ELBA 70X41 CM
15.	91026	WB OLIVIA 49X41 CM
16.	91027	WB FLAIR 71X40 CM
17.	91034	WB TORRIN 79X39 CM
18.	91036	WB CORNICE 68X42 CM
19.	91041	WB RUBBIC 47.5X36.5 CM
20.	91042	WB WAVE 59X46 CM
21.	91043	WB FONTE 61X47 CM



hindware

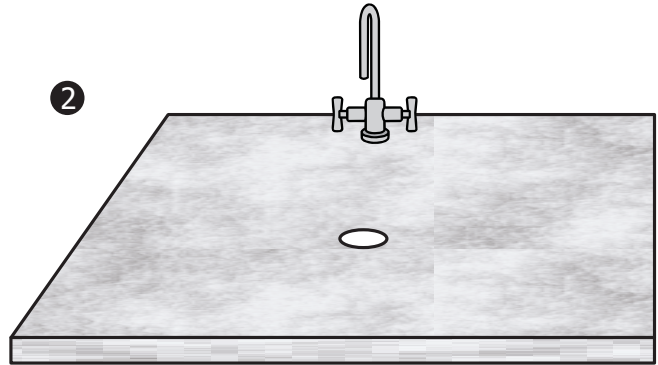
STEPS FOR INSTALLATION

1



Cut the marble / Slab for waste hole of Wash Basin to accommodate the outlet area at desired location where the Wash Basin is to be placed. Area of the hole should be made suitable for the bottle trap (100 mm Ø approx).

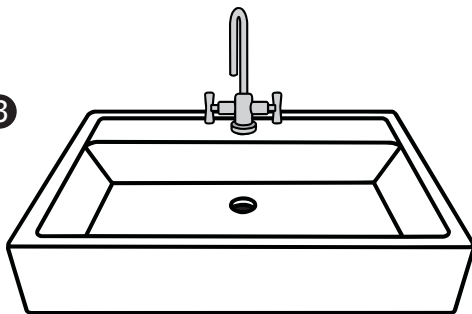
2



If tap hole is not provided in Wash Basin then Extra hole is required on marble to connect the connection pipe of water tap with hot & cold connection angle valve

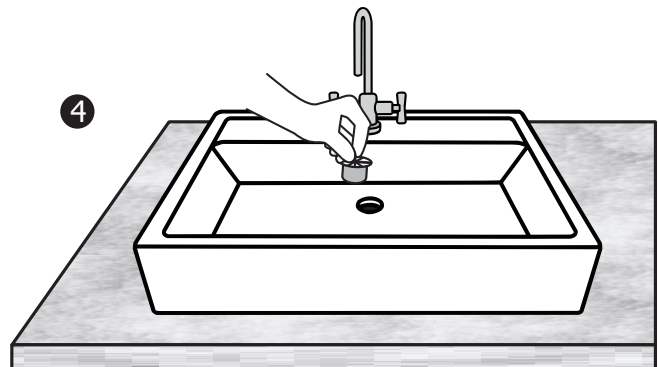
Fix the water tap separately on the slab

3



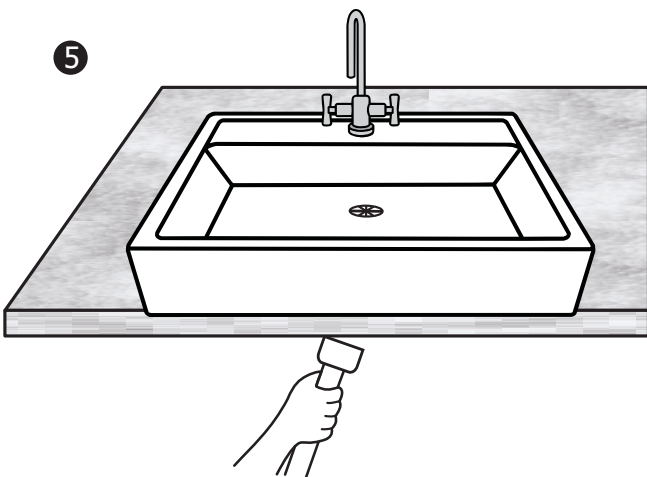
If tap hole is provided in Wash Basin, then fix the water tap in tap hole to connect the connection of water tap with hot & cold connection angle valve

4



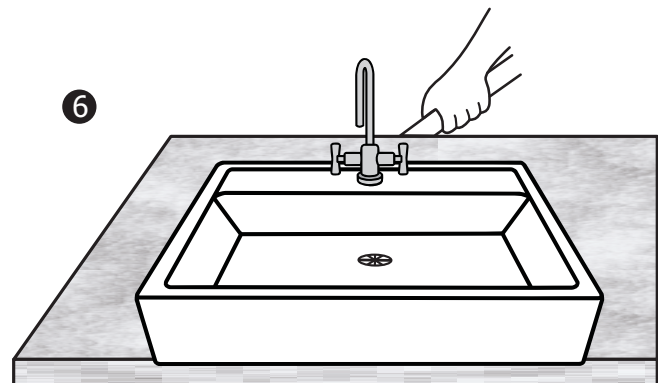
Fix the waste coupling and place Wash Basin on marble plate/slab. To fix put sealant between slab and Wash basin.

5



After fixing the Wash Basin on marble slab, connect to drain with bottle trap beneath the marble /slab.

6



Connect cold & hot connection pipe of water tap with cold & hot connection angle valve



hindware