

INSTALLATION INSTRUCTIONS FOR

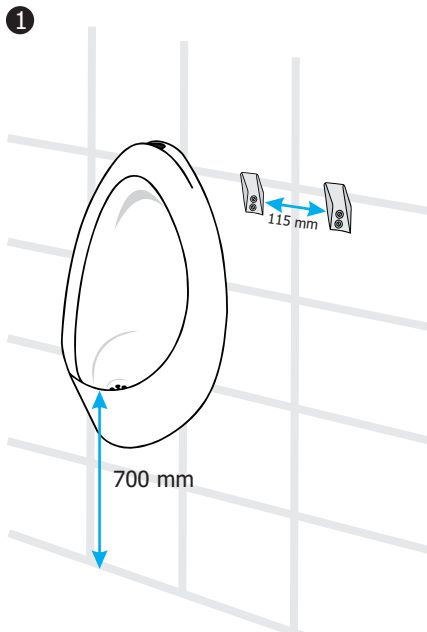
RIVA URINAL

CAT No. 96003



hindware

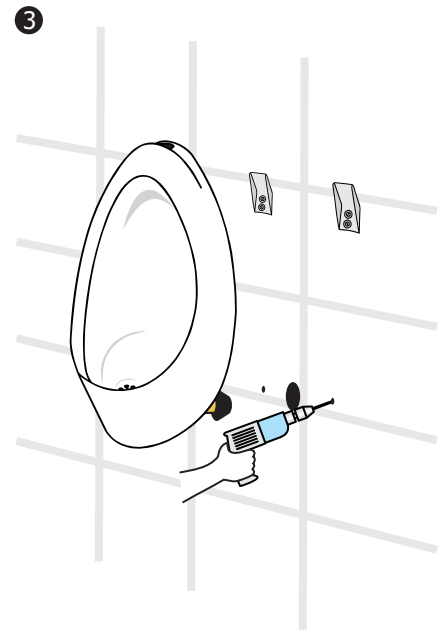
STEPS FOR INSTALLATION



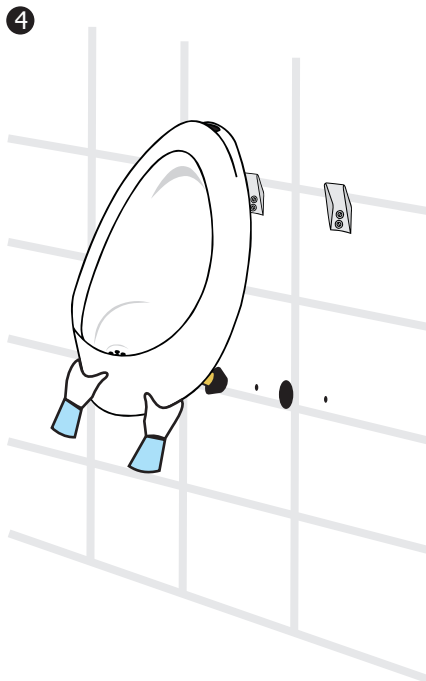
Fix the brackets at a distance of 115 mm at desired location. The recommended height from front rim to finished floor is 700mm.



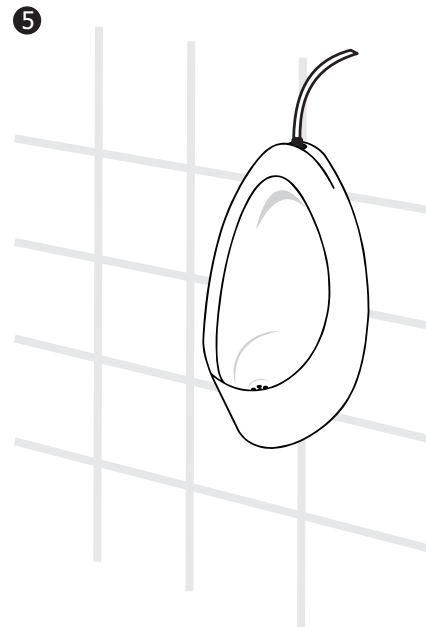
Fit the rubber bellow in the outlet hole (back side of urinal) & provide outlet inside wall at the same level.



Mark the screw fixing holes by marker pen on the wall & drill on marked position by drill bit of dia 5 mm & insert the PVC sleeves.



Hang urinal on brackets inserting the outlet of bellow with rubber adaptor at both ends inside outlet hole.



Connect water connection pipe on top of inlet hole.



hindware