

INSTALLATION INSTRUCTIONS FOR

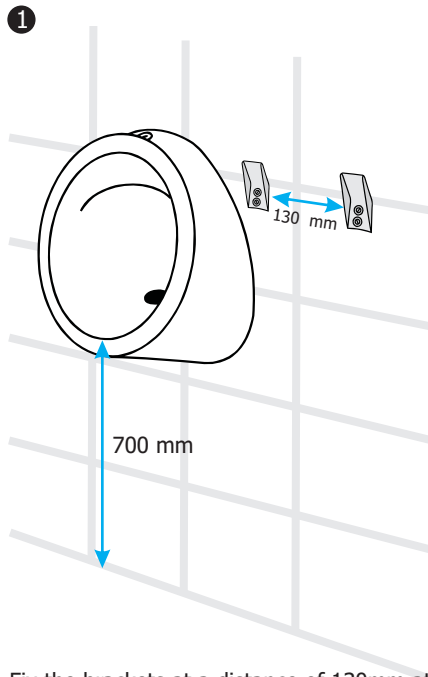
VENENZIA URINAL

CAT No. 60012

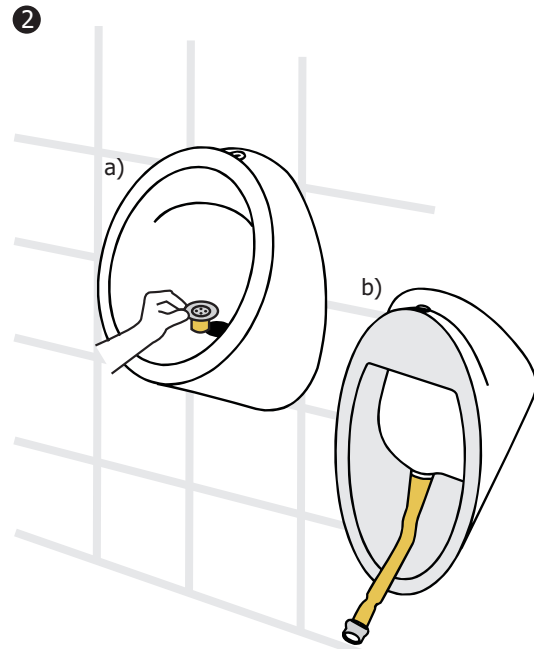


hindware

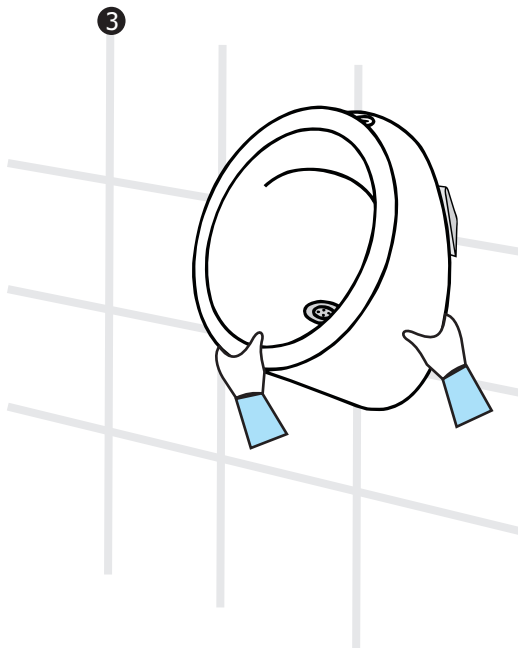
STEPS FOR INSTALLATION



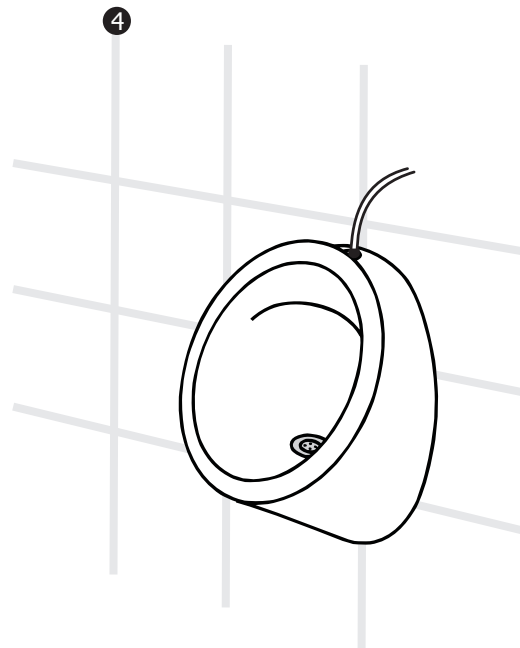
Fix the brackets at a distance of 130mm at desired location. The recommended height from front rim to finished floor is 700mm.



a) Fit the waste coupling inside waste hole
b) connect flexible pipe in the waste coupling outlet.



Connect the flexible pipe inside outlet with rubber adaptor and hang the Urinal on bracket.



Connect the connecting pipe in the Urinal at top & connect with incoming water line.



hindware