

INSTALLATION INSTRUCTIONS FOR

EWC Wall Mounting



S. No.	Catalogue No.	Description
1	92051	EWC WALL MOUNTING ESSENCE
2	92056	EWC WALL MOUNTING TARROT
3	92060	EWC WALL MOUNTING VIVA
4	92062	EWC WALL MOUNTING AUTOMATE
5	92065	EWC WALL MOUNTING RUBBIC
6	92067	EWC WALL MOUNTING WAVE
7	92079	EWC WALL MOUNTING TESSA
8	92080	EWC WALL MOUNTING KYLIS
9	92081	EWC WALL MOUNTING ELEMENT
10	92092	EWC WALL MOUNTING TWILIGHT
11	92095	EWC WALL MOUNTING MODENA
12	92097	EWC WALL MOUNTING ATLANTA
13	92506	EWC WALL MOUNTING MARVEL

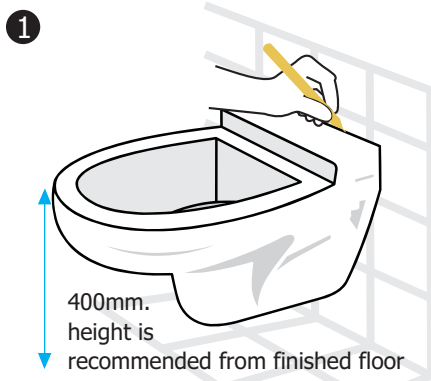


hindware

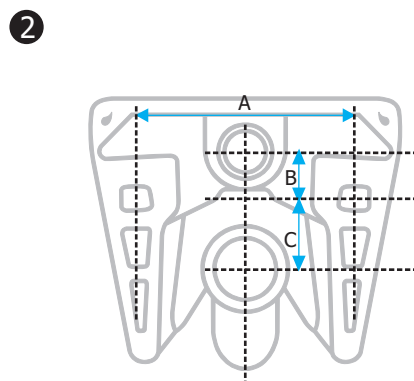
RECOMMENDED STANDARD SPECIFICATION TABLE

S.No.	Catalogue No.	Description	Dist. Between centre of fixing bolt (mm)	Distance between centre of inlet to centre line of fixing bolt (mm)	Dist. Between centre line of fixing bolt to centre of outlet (mm)	Dist. Between centre of inlet to center of outlet (mm)	Diameter of rubber adaptor (mm)
			A	B	C	B+C	
1	92051	EWC WALL MOUNTING ESSENCE	180 ±5mm	40	95	135 ±5mm	58
2	92056	EWC WALL MOUNTING TARROT	180 ±5mm	35	110	145 ±5mm	58
3	92060	EWC WALL MOUNTING VIVA	230 ±5mm	40	94	134 ±5mm	55
4	92062	EWC WALL MOUNTING AUTOMATE	240 ±5mm	35	100	135 ±5mm	58
5	92065	EWC WALL MOUNTING RUBBIC	180 ±5mm	20	115	135 ±5mm	58
6	92067	EWC WALL MOUNTING WAVE	230 ±5mm	53	85	138 ±5mm	58
7	92079	EWC WALL MOUNTING TESSA	240 ±5mm	35	95	135 ±5mm	58
8	92080	EWC WALL MOUNTING KYLIS	230 ±5mm	35	105	140 ±5mm	58
9	92081	EWC WALL MOUNTING ELEMENT	230 ±5mm	30	100	130 ±5mm	58
10	92092	EWC WALL MOUNTING TWILIGHT	200 ±5mm	40	95	135 ±5mm	58
11	92095	EWC WALL MOUNTING MODENA	180 ±5mm	35	100	135 ±5mm	58
12	92097	EWC WALL MOUNTING ATLANTA	200 ±5mm	40	85	125 ±5mm	58
13	92506	EWC WALL MOUNTING MARVEL	180 ±5mm	35	100	135 ±5mm	55

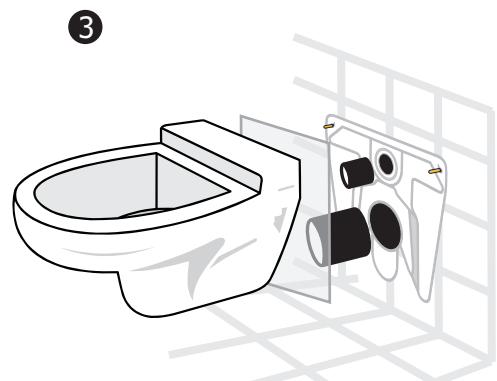
STEPS FOR INSTALLATION



First of all make the sketch of back side mounting dimension as per the toilet mentioned in the table, such that the height of front rim to finished floor is 400mm. after installation



The center of inlet and center of outlet should be in one line maintaining the dimension A, B, C
(The bracket chair is recommended to grout inside the wall and floor to avoid damage to wall before putting tiles on the wall and floor maintaining the height of front rim to finished floor 400mm.)



Place polysheet in between EWC and wall then the rubber adaptor must be used as recommended for respective EWC wall mounting for inlet. Outlet rubber gasket must be put on outlet of EWC for connecting with waste outlet hole on wall.



It is suggested to fit the seat cover before installation

hindware