

INSTALLATION INSTRUCTIONS FOR

EWC Wall Mounting



| S. No. | Catalogue No. | Description |
|--------|---------------|---------------------------------|
| 1 | 20040 | EWC WALL MOUNTING CONSTELLATION |
| 2 | 20047\92035 | EWC WALL MOUNTING CRYSTAL |
| 3 | 20061 | EWC WALL MOUNTING STUDIO |
| 4 | 20069 | EWC WALL MOUNTING LARA |
| 5 | 20073 & 92054 | EWC WALL MOUNTING CORNICE |
| 6 | 92024 | EWC WALL MOUNTING ENIGMA |
| 7 | 92028 | EWC WALL MOUNTING CREST |
| 8 | 92032 | EWC WALL MOUNTING ALEXA |
| 9 | 92034 | EWC WALL MOUNTING VENENZIA |
| 10 | 92036 | EWC WALL MOUNTING ARMADA |
| 11 | 92039 | EWC WALL MOUNTING TORRIN |
| 12 | 20080 | EWC WALL MOUNTING DOVE |
| 13 | 20082 | EWC WALL MOUNTING MARIO |

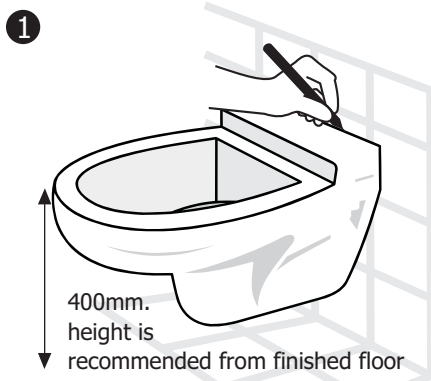


hindware

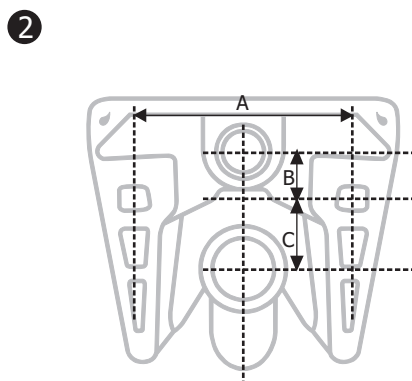
RECOMMENDED STANDARD SPECIFICATION TABLE

| S.No. | Catalogue No. | Description | Dist. Between centre of fixing bolt (mm) | Distance between centre of inlet to centre line of fixing bolt (mm) | Dist. Between centre line of fixing bolt to centre of outlet (mm) | Dist. Between centre of inlet to center of outlet (mm) | Diameter of rubber adaptor (mm) |
|-------|---------------|---------------------------------|--|---|---|--|---------------------------------|
| | | | A | B | C | B+C | |
| 1 | 20040 | EWC WALL MOUNTING CONSTELLATION | 230±5mm | 5 | 125 | 130±5mm | 50 |
| 2 | 20047/ 92035 | EWC WALL MOUNTING CRYSTAL | 255 ±5mm | 80 | 75 | 155 ±5mm | 50 |
| 3 | 20061 | EWC WALL MOUNTING STUDIO | 200 ±5mm | 10 | 120 | 130 ±5mm | 50 |
| 4 | 20069 | EWC WALL MOUNTING LARA | 230 ±5mm | 42 | 88 | 130 ±5mm | 55 |
| 5 | 20073/92054 | EWC WALL MOUNTING CORNICE | 255 ±5mm | 80 | 75 | 155 ±5mm | 50 |
| 6 | 92024 | EWC WALL MOUNTING ENIGMA | 230 ±5mm | 35 | 100 | 135 ±5mm | 58 |
| 7 | 92028 | EWC WALL MOUNTING CREST | 180 ±5mm | 35 | 100 | 135 ±5mm | 58 |
| 8 | 92032 | EWC WALL MOUNTING ALEXA | 180 ±5mm | 40 | 95 | 135 ±5mm | 55 |
| 9 | 92034 | EWC WALL MOUNTING VENENZIA | 230 ±5mm | 32 | 98 | 130 ±5mm | 55 |
| 10 | 92036 | EWC WALL MOUNTING ARMADA | 180 ±5mm | 35 | 100 | 135 ±5mm | 50 |
| 11 | 92039 | EWC WALL MOUNTING TORRIN | 235 ±5mm | 35 | 95 | 140 ±5mm | 58 |
| 12 | 20080 | EWC WALL MOUNTING DOVE | 180 ±5mm | 45 | 95 | 140 ±5mm | 50 |
| 13 | 20082 | EWC WALL MOUNTING MARIO | 180 ±5mm | 50 | 85 | 135 ±5mm | 55 |

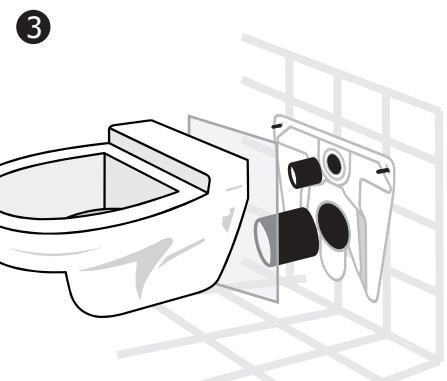
STEPS FOR INSTALLATION



First of all make the sketch of back side mounting dimension as per the toilet mentioned in the table, such that the height of front rim to finished floor is 400mm. after installation



The center of inlet and center of outlet should be in one line maintaining the dimension A, B, C
(The bracket chair is recommended to grout inside the wall and floor to avoid damage to wall before putting tiles on the wall and floor maintaining the height of front rim to finished floor 400mm.)



Place polysheet in between EWC and wall then the rubber adaptor must be used as recommended for respective EWC wall mounting for inlet. Outlet rubber gasket must be put on outlet of EWC for connecting with waste outlet hole on wall.



It is suggested to fit the seat cover before installation

hindware