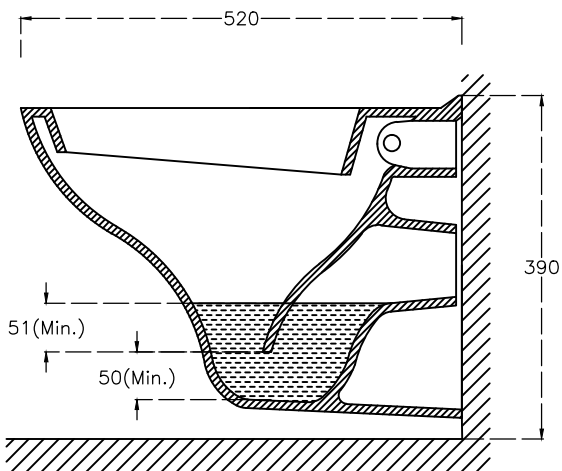
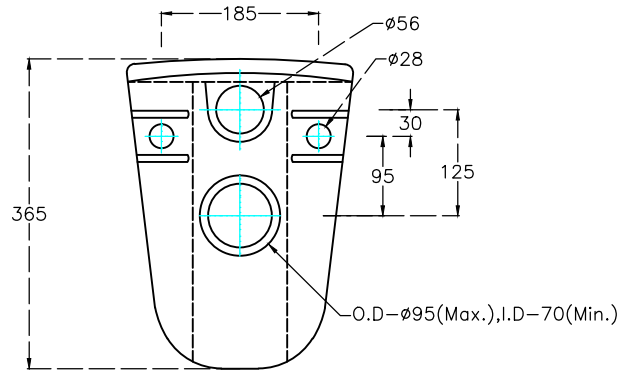


TOP-VIEW



Floor-Level

SECTION VIEW



BACK VIEW

hindware

HSIL LIMITED,
BAHADURGARH

CATALOGUE NO: 20108

ITEM DESCRIPTION: EWC W/M CLASSIK
(520 x 355 x 365 mm)

DRAWN:

UNIT:MM

CHECKED:

SCALE:1:1

APPROVED:

DRAWING:NO:
WC/221

DATE:07.05.2019

REV:NO:0