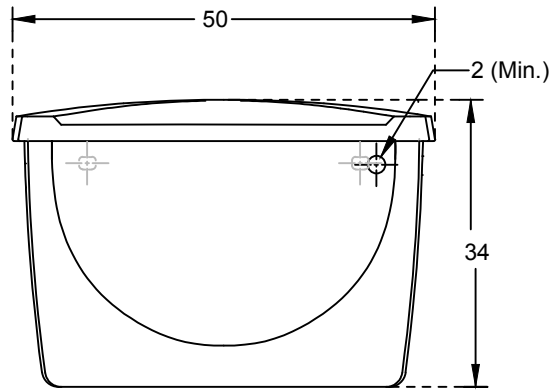


PLAN VIEW



FRONT ELEVATION

hindware		HSIL LIMITED, BAHADURGARH	
CATALOGUE No.: 21001		ITEM DESCRIPTION: 10 L CISTERN (22.5 X 50 X 34 cm)	
DRAWN:		UNIT: CM	
CHECKED:		SCALE: 1:10	
APPROVED:		DRG. No.: CIS/016 Rev. No.: 1	
DATE: 26.08.2009			