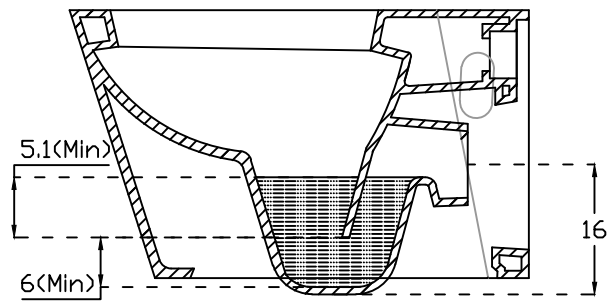
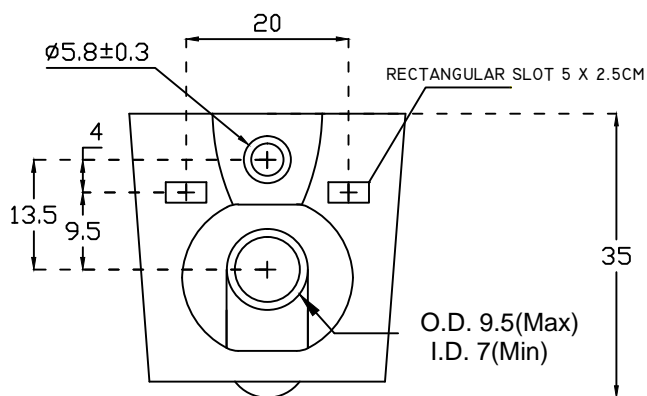


PLAN VIEW



SECTIONAL VIEW



BACK VIEW

NOTE: UNLESS OTHERWISE SPECIFIED
ALL DIMENSIONS ARE IN CENTIMETERS

MATERIAL - CERAMIC VITREOUS CHINA

hindware ITALIAN COLLECTION		HSIL LIMITED, BAHADURGARH	
CATALOGUE NO: 92092 ITEM DESCRIPTION: EWC WM TWILIGHT (56.5X36X35CM)			
DRAWN:		UNIT:CM	
CHECKED:		SCALE:1:10	
APPROVED		DRAWING NO:WC/169	
DATE:03.12.14		REV:ND:	