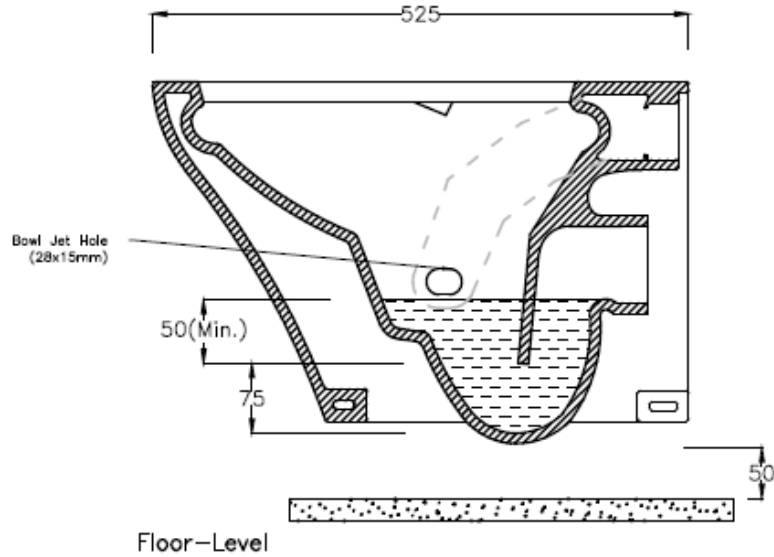
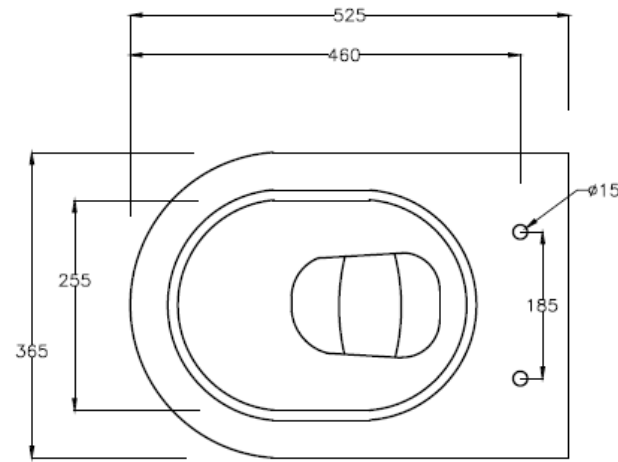




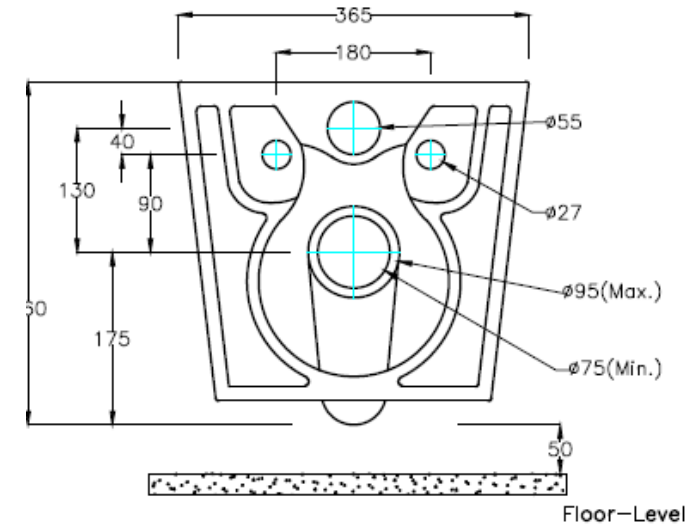
TECHNICAL DIAGRAM



Sectional-View



Top-View



Back View