

7

6

5

4

3

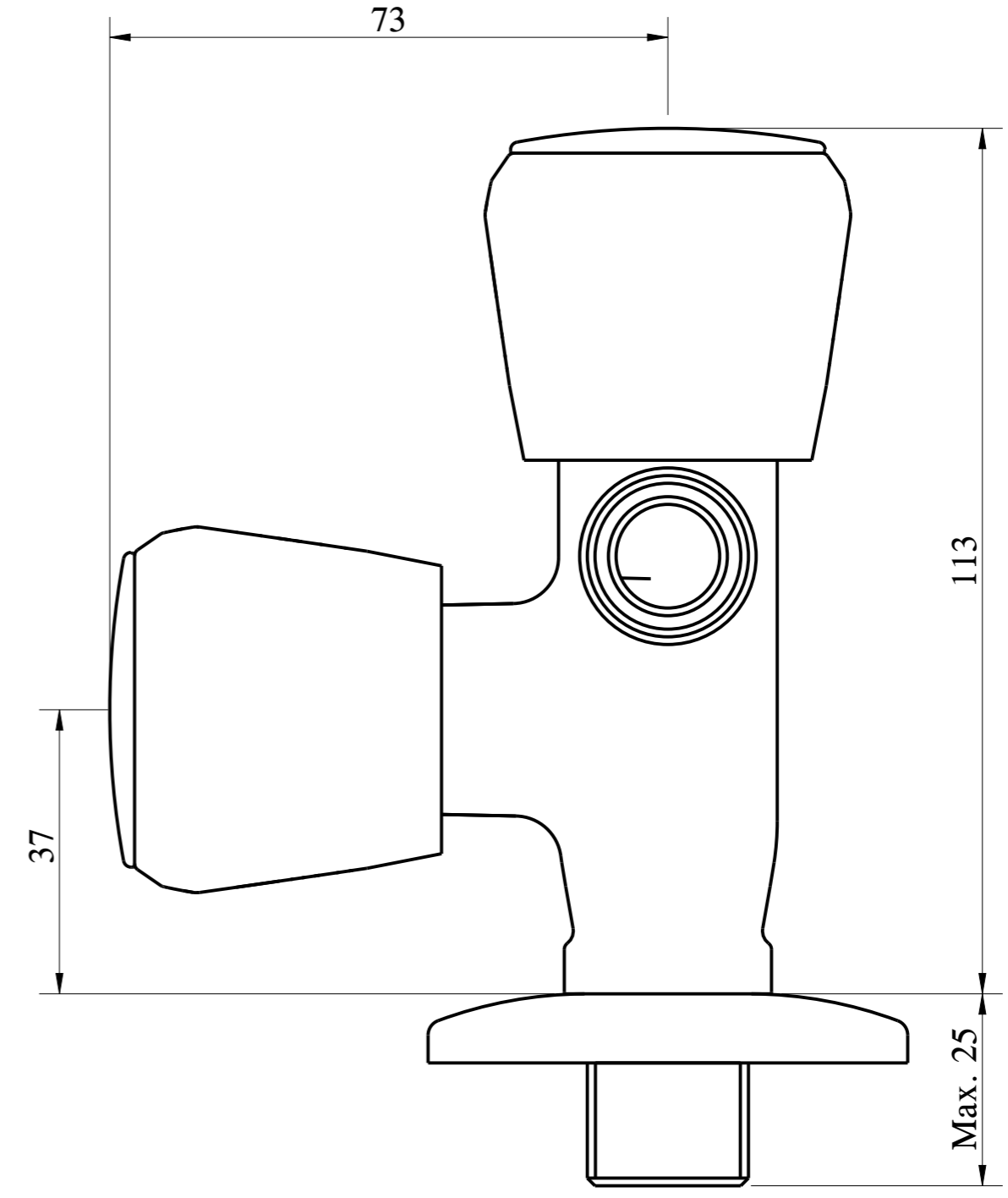
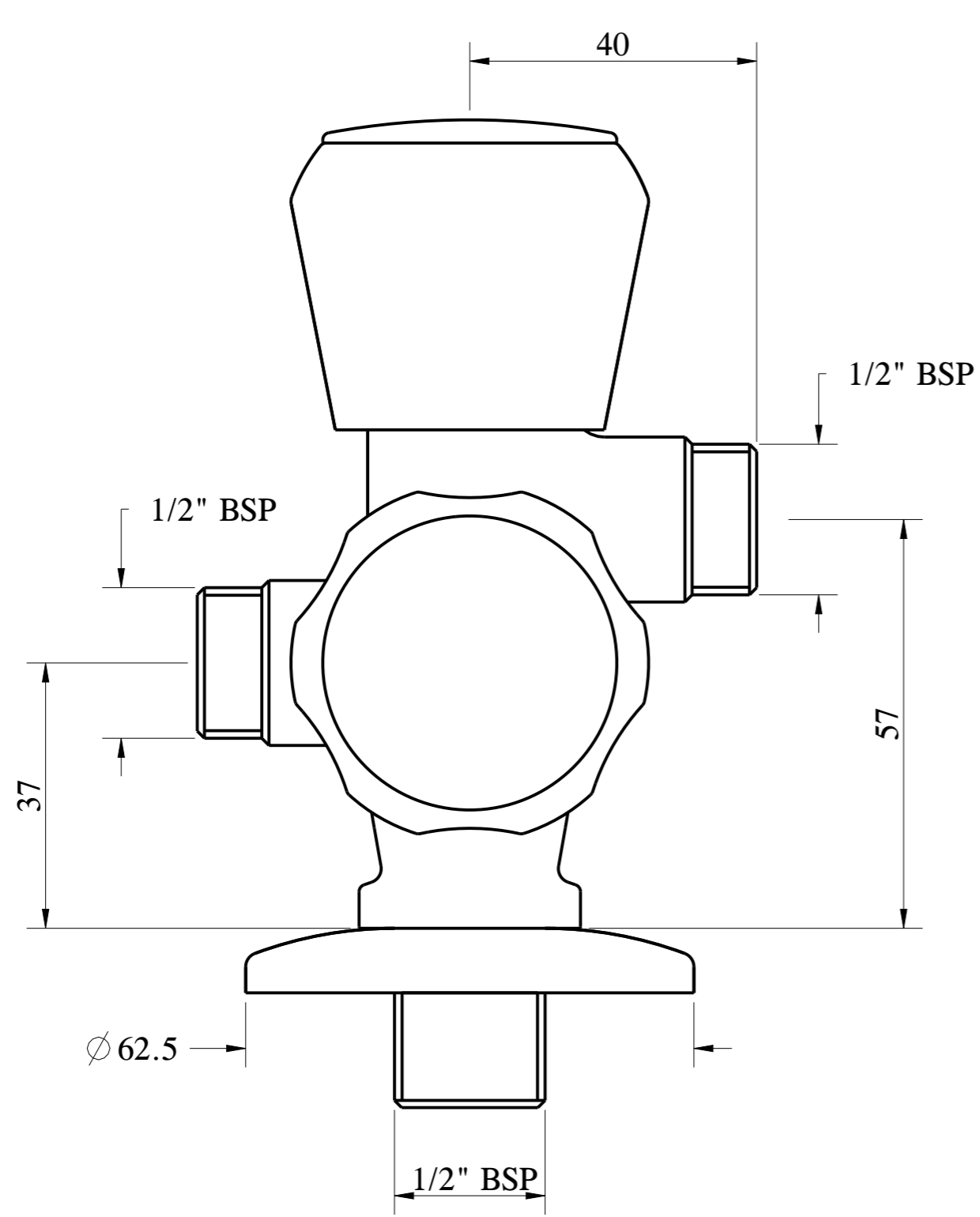
2

1

○ MACHINING DRAWING
 ○ CASTING DRAWING
 ● ASSEMBLY DRAWING

CRITICAL DIMENSION
 ALL DIMENSION ARE IN MM

A
B
C
D
E
F



SURFACE FINISH		
TRIANGULAR INDICATOR	N-GRADE	Ra-VALUE(μm)
	N11 - N12	25 ~ 50
	N09 - N10	6.3 ~ 12.5
	N07 - N08	1.6 ~ 3.2
	N04 - N06	0.2 ~ 0.8
	N01 - N03	0.025 ~ 0.1
UNSPECIFIED TOLERANCE		
0.0 ~ 6.0 ± 0.1	6.0 ~ 30.0 ± 0.2	
30.0 ~ 100.0 ± 0.3	100.0 ~ 300.0 ± 0.5	

SCALE : NTS	2014	NAME	DATE
MATERIAL : SEE TABLE	DRN. BY		
TREATMENT:	CKD BY		
WEIGHT:	APPD BY		
	DESCRIPTION: 2-WAY ANGLE COCK WITH FLANGE		

HSIL

PLOT NO. SP1-254
KAHARANI INDUSTRIAL AREA
BHIWADI, RAJASTHAN

DRG. NO. : F330006CP
RANGE:
NEW CONTESSA
REV. NO.

01	--	PRODUCTION RELEASE			
SR. NO.	ECN NO.	DESCRIPTION	REVISED BY	APPROVED BY	DATE