

7

6

5

4

3

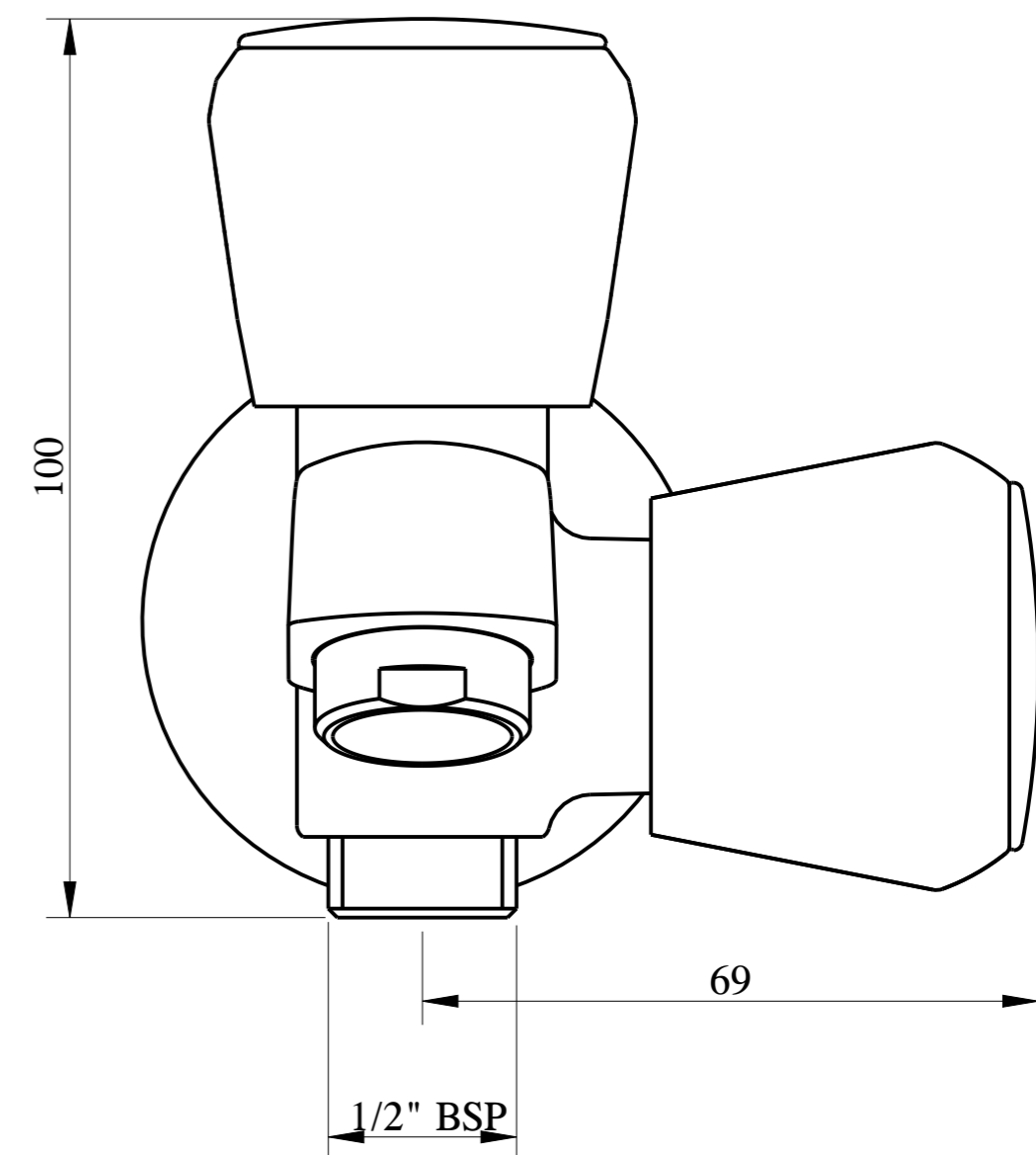
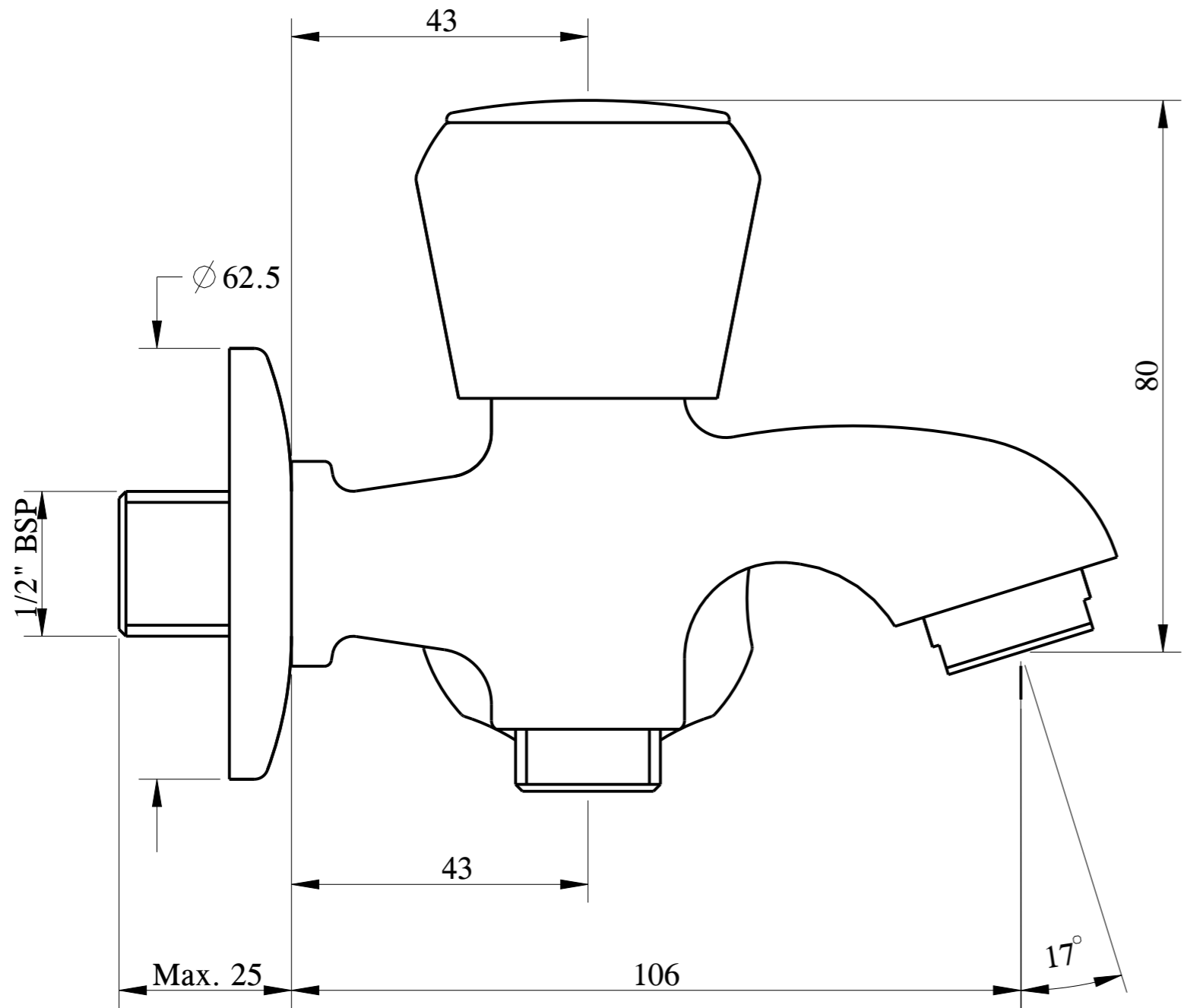
2

1

○ MACHINING DRAWING  
 ● CASTING DRAWING  
 ● ASSEMBLY DRAWING

CRITICAL DIMENSION  
 ALL DIMENSION ARE IN MM

A  
B  
C  
D  
E  
F



SURFACE FINISH		
TRIANGULAR INDICATOR	N-GRADE	Ra-VALUE(μm)
	N11 - N12	25 ~ 50
	N9 - N10	6.3 ~ 12.5
	N7 - N8	1.6 ~ 3.2
	N4 - N6	0.2 ~ 0.8
	N1 - N3	0.025 ~ 0.1
UNSPECIFIED TOLERANCE		
0.0 ~ 6.0 ± 0.1	6.0 ~ 30.0 ± 0.2	
30.0 ~ 100.0 ± 0.3	100.0 ~ 300.0 ± 0.5	

SCALE : NTS	2014	NAME	DATE
MATERIAL : SEE TABLE	DRN. BY		
TREATMENT :	CKD BY		
WEIGHT : 828 ± 2% gm	APPD BY		
	DESCRIPTION: 2-WAY BIB COCO		

**HSIL**

PLOT NO. SP1-254  
KAHARANI INDUSTRIAL AREA  
BHIWADI, RAJASTHAN

DRG. NO. : F330004CP  
RANGE:

REV. NO. 0

00		PRODUCTION RELEASE			
SR. NO.	ECN NO.	DESCRIPTION	REVISED BY	APPROVED BY	DATE