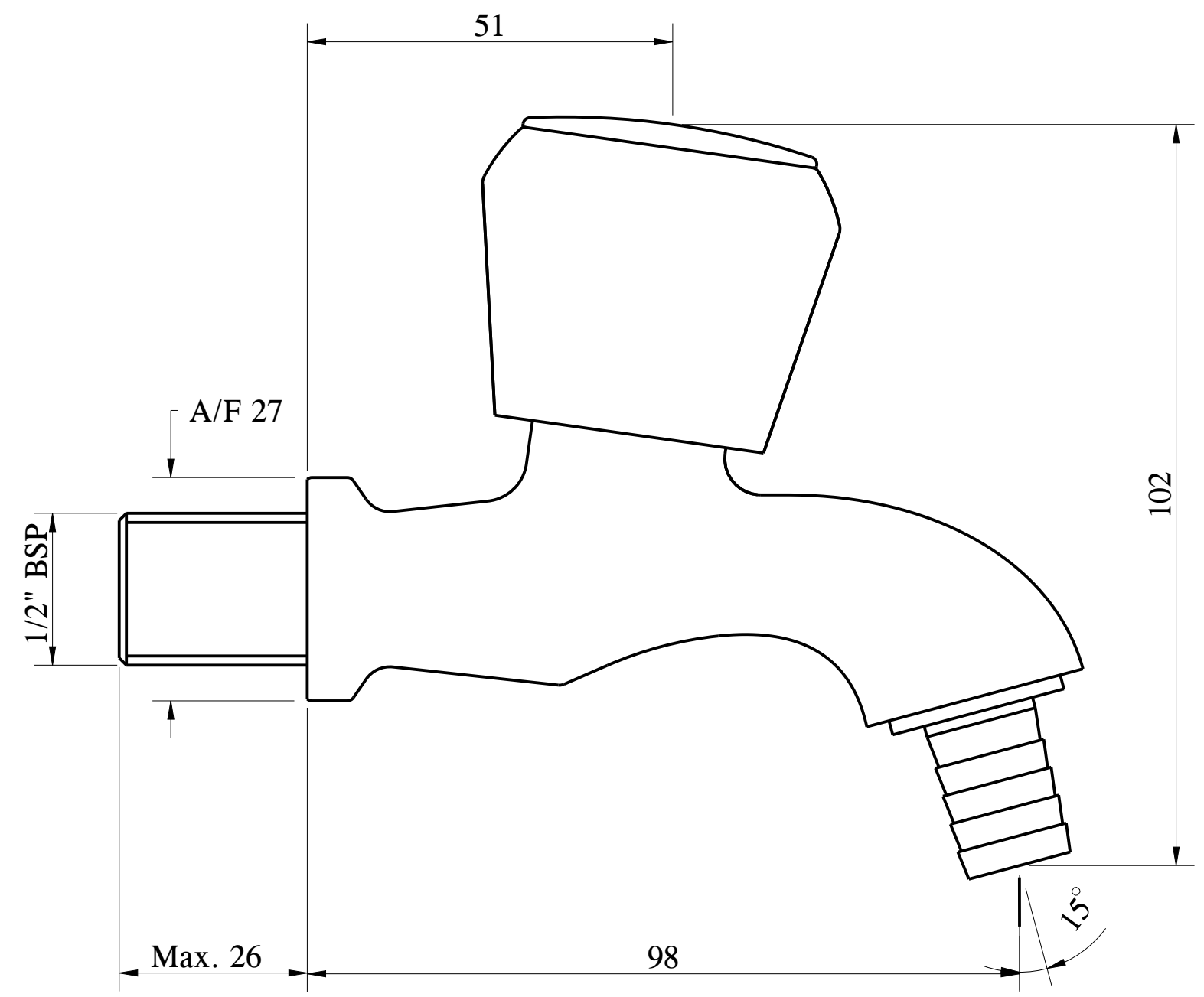


THIS DRAWING IS SOLE PROPERTY OF HSIL. ANY UNAUTHORIZED COPYING, TRACING, REPRODUCING, MISUSE OR DISTRIBUTION IS STRICTLY PROHIBITED AND WILL BE LEGALLY PROSECUTED.

7 6 5 4 3 2 1

○ MACHINING DRAWING
 ○ CASTING DRAWING
 ● ASSEMBLY DRAWING
 ○ BOP DRAWING

CRITICAL DIMENSION
 ALL DIMENSION ARE IN MM



SURFACE FINISH		
TRIANGULAR INDICATOR	N-GRADE	Ra-VALUE(μm)
	N11 - N12	25 ~ 50
	N09 - N10	6.3 ~ 12.5
	N07 - N08	1.6 ~ 3.2
	N04 - N06	0.2 ~ 0.8
	N01 - N03	0.025 ~ 0.1
UNSPECIFIED TOLERANCE		
0.0 ~ 6.0 ± 0.1	6.0 ~ 30.0 ± 0.2	
30.0 ~ 100.0 ± 0.3	100.0 ~ 300.0 ± 0.5	

SCALE :	NTS	2014	NAME	DATE
MATERIAL :	SEE TABLE	DRN. BY		
TREATMENT:		CKD BY		
WEIGHT:		APPD BY		
		DESCRIPTION:	BIB COCK WITH NOZZLE	

HSIL

PLOT NO. SP1-254
KAHARANI INDUSTRIAL AREA
BHIWADI, RAJASTHAN

DRG. NO. : F330040CP

RANGE:
NEW CONTESSA REV. NO.

SR. NO.	ECN NO.	DESCRIPTION	REVISED BY	APPROVED BY	DATE
		PRODUCTION RELEASE			