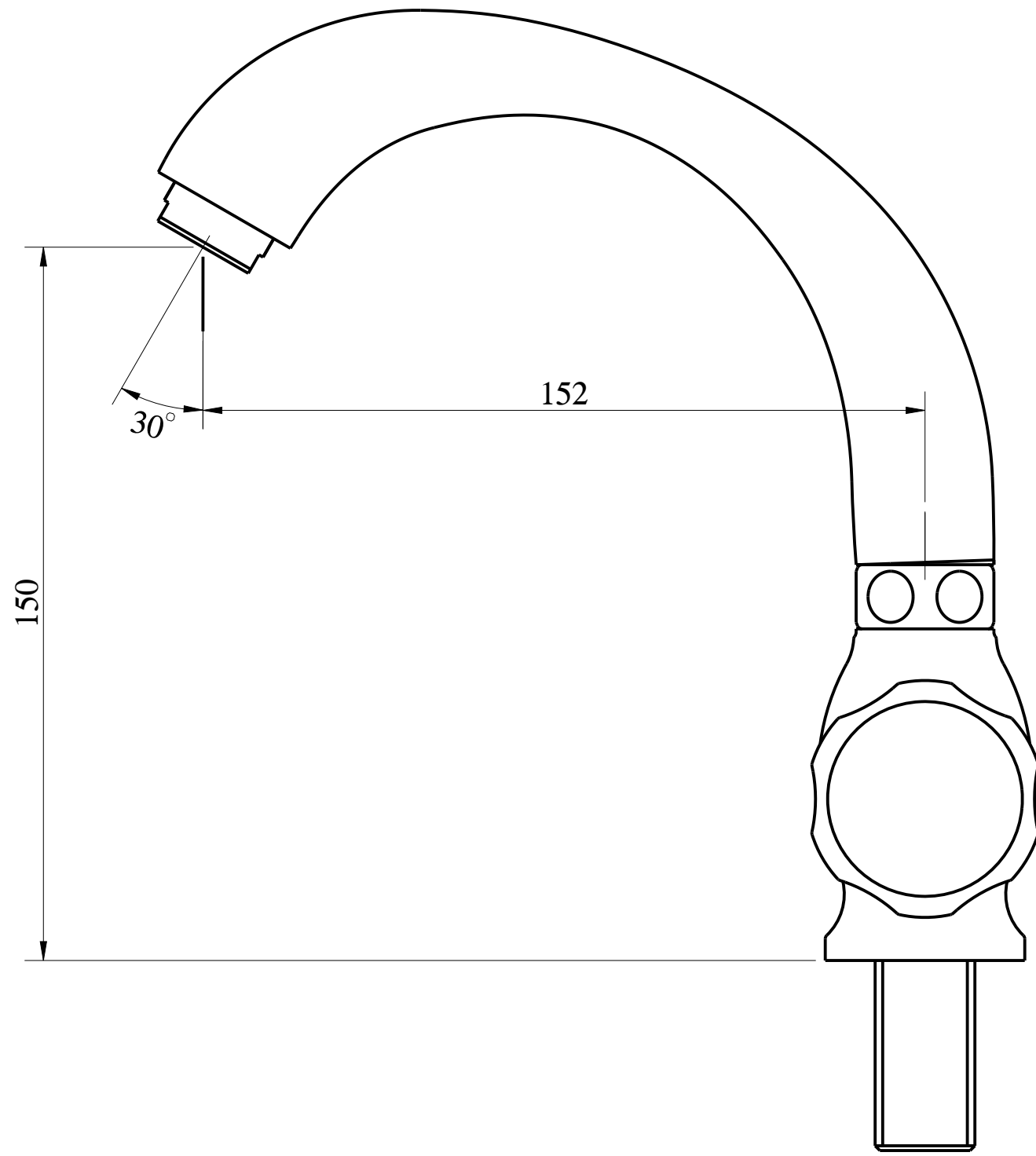
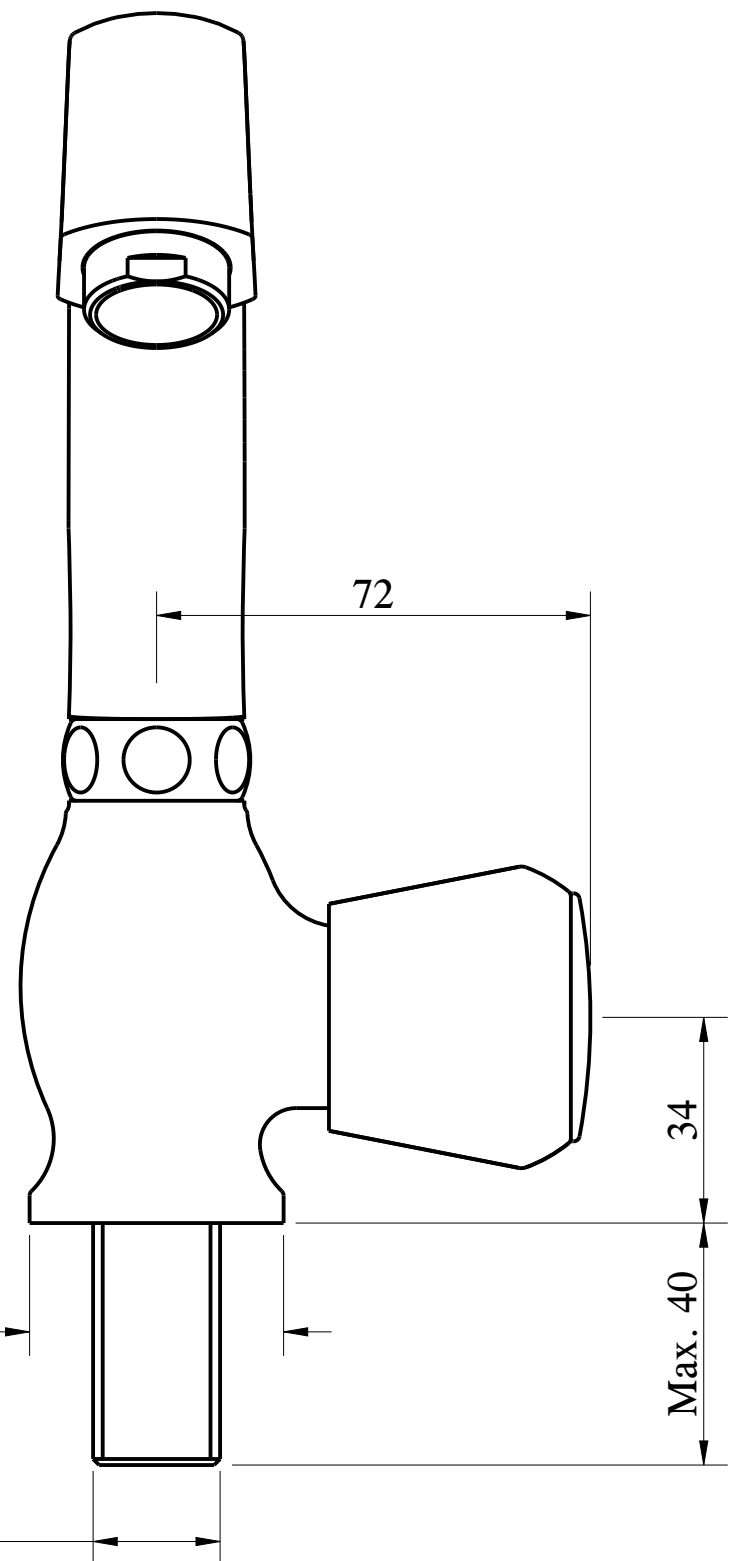


THIS DRAWING IS SOLE PROPERTY OF HSIIL. ANY UNAUTHORIZED COPYING, TRACING, REPRODUCING, MISUSE OR DISTRIBUTION IS STRICTLY PROHIBITED AND WILL BE LEGALLY PROSECUTED.

7 6 5 4 3 2 1

○ MACHINING DRAWING  
 ○ CASTING DRAWING  
 ● ASSEMBLY DRAWING  
 ○ BOP DRAWING

CRITICAL DIMENSION  
 ALL DIMENSION ARE IN MM



00	--	PRODUCTION RELEASE			
SR. NO.	ECN NO.	DESCRIPTION	REVISED BY	APPROVED BY	DATE

SURFACE FINISH		
TRIANGULAR INDICATOR	N-GRADE	Ra-VALUE( $\mu\text{m}$ )
	N11 - N12	25 ~ 50
	N09 - N10	6.3 ~ 12.5
	N07 - N08	1.6 ~ 3.2
	N04 - N06	0.2 ~ 0.8
	N01 - N03	0.025 ~ 0.1
UNSPECIFIED TOLERANCE		
0.0 ~ 6.0 $\pm 0.1$	6.0 ~ 30.0 $\pm 0.2$	
30.0 ~ 100.0 $\pm 0.3$	100.0 ~ 300.0 $\pm 0.5$	

SCALE :	NTS	2014	NAME	DATE
MATERIAL :	SEE TABLE	DRN. BY		
TREATMENT :		CKD BY		
WEIGHT :		APPD BY		
		DESCRIPTION:	SINK COCK TM	

**HSIL**  
 PLOT NO. SP1-254  
 KAHARANI INDUSTRIAL AREA  
 BHIWADI, RAJASTHAN

DRG. NO. : F330034CP  
 RANGE:  
 NEW CONTESSA REV. NO. 0