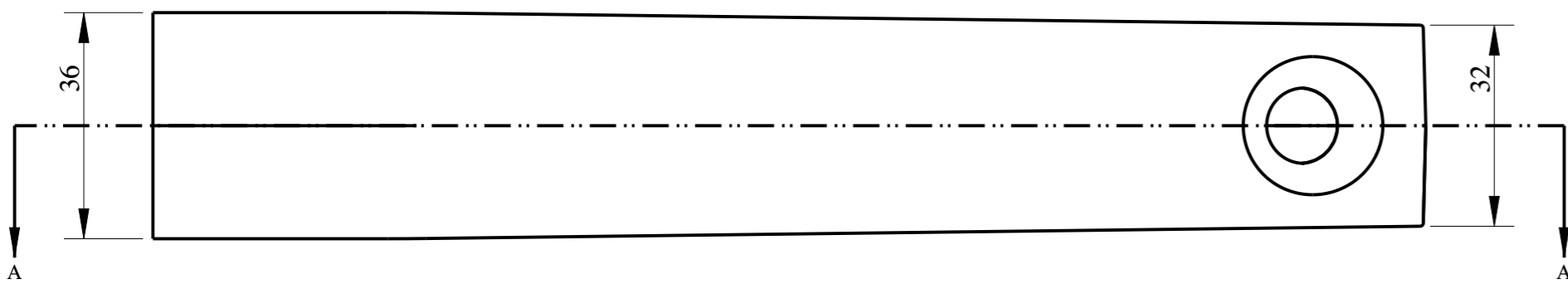
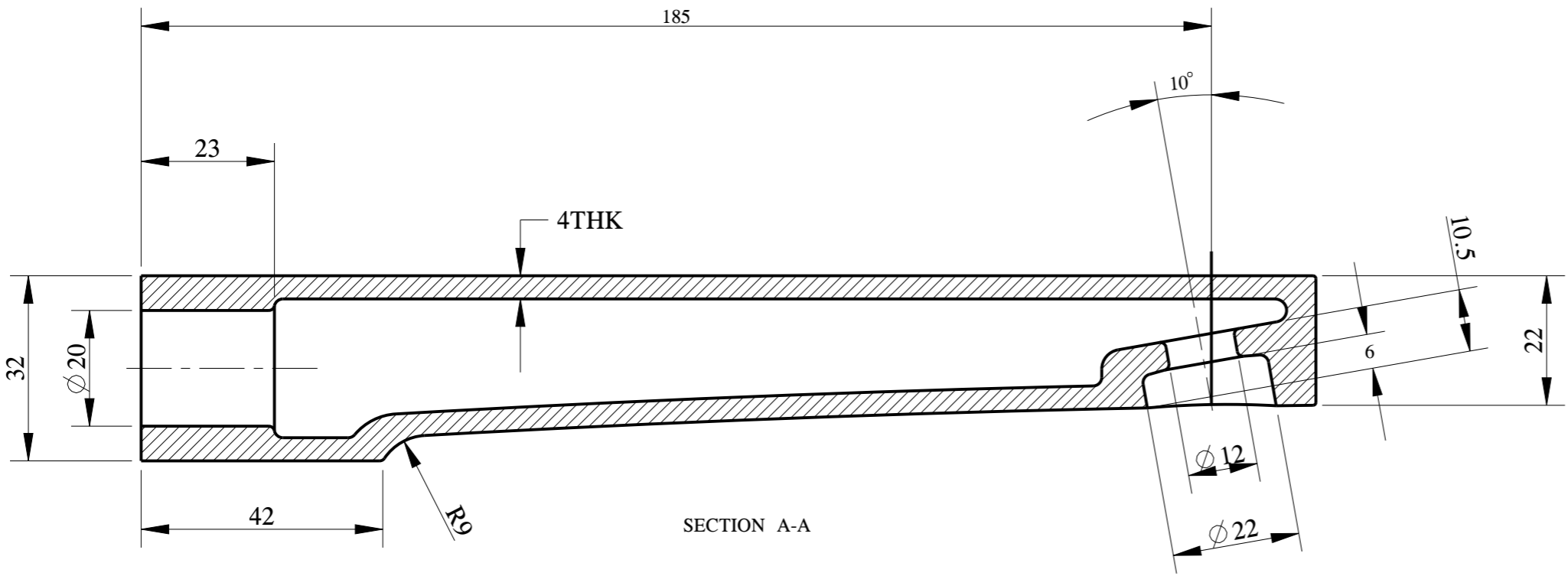
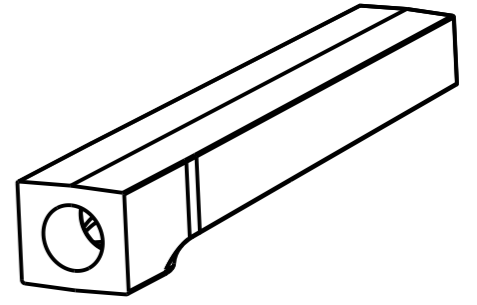
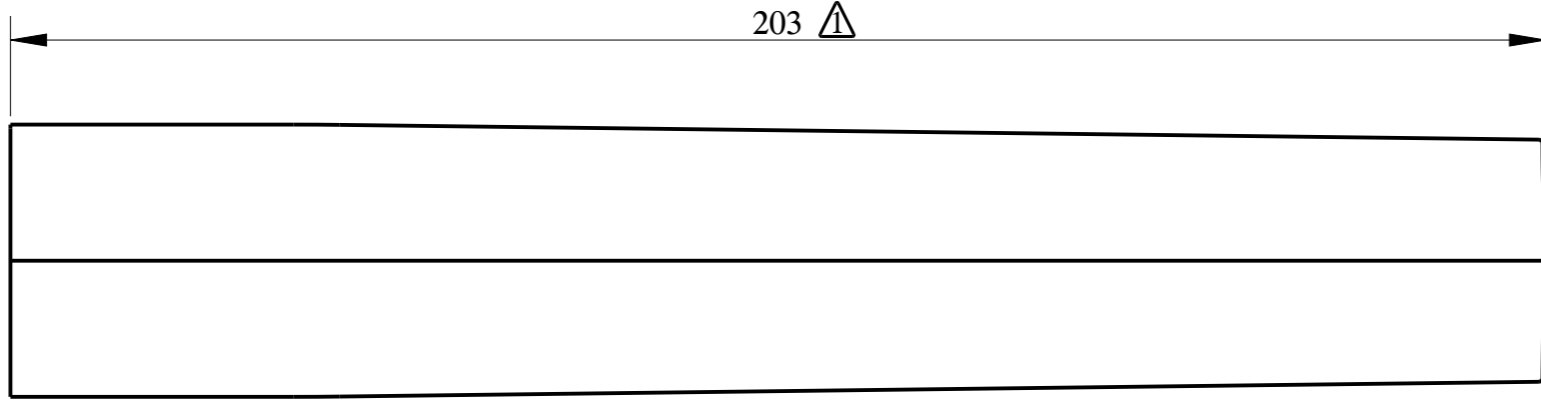


THIS DRAWING IS SOLE PROPERTY OF HSIL LTD. COPYING, TRACING, DUPLICATING, MISUSE IS NOT ALLOWED.

○ MACHINING DRAWING  
 ● CASTING DRAWING  
 ○ ASSEMBLY DRAWING

CRITICAL DIMENSION  
 ALL DIMENSION ARE IN MM



- NOTES :
- 1.) CASTED PART SHOULD BE FREE FROM DENT, CRACK, BLOW HOLES, PIN-HOLES, SHRINKAGE, ETC.
  - 2.) CASTED PART SHOULD BE SHOT BLASTED.
  - 3.) REMOVE ALL SAND FROM INNER PROFILES & IT SHOULD BE CLEAN.
  - 4.) RISER CUTTING TO BE UNIFORM.
  - 5.) CASTED PART SHOULD BE LEAKAGE PROOF.
  - 6.) UNLESS OTHERWISE SPECIFIC CASTING BODY TOLLERENCE  $\pm 0.5$ MM.
  - 7.) UNSPECIFIED RADIUS 1.0 MM.

SURFACE FINISH		
TRIANGULAR INDICATOR	N-GRADE	Ra-VALUE( $\mu$ m)
	N11 - N12	25 ~ 50
	N09 - N10	6.3 ~ 12.5
	N07 - N08	1.6 ~ 3.2
	N04 - N06	0.2 ~ 0.8
	N01 - N03	0.025 ~ 0.1
UNSPECIFIED TOLERANCE		
0.0 ~ 6.0 $\pm 0.1$	6.0 ~ 30.0 $\pm 0.2$	
30.0 ~ 100.0 $\pm 0.3$	100.0 ~ 300.0 $\pm 0.5$	

SCALE :	NTS	2015	NAME	DATE
MATERIAL :	BRASS DCB-2	DRN. BY	R.CHAUHAN	07 OCT
	AS PER IS 1264:1997	CKD BY	PARDEEP	
TREATMENT:	SHOT BLAST	APPD BY		
		DESCRIPTION:	SPOUT CONC. MIXER BATH	
WEIGHT:	814 $\pm 2\%$	DRG. NO. :	CBR32C065M	
		RANGE:	ELEMENT	
		REV. NO.	01	

**HSIL**

PLOT NO. SP1-254  
KAHARANI INDUSTRIAL AREA  
BHIWADI, RAJASTHAN

	F36/05I/2015	LENGTH REDUCED TO 203MM TO 239MM	R.CHAUHAN		07 OCT
SR. NO.	ECN NO.	DESCRIPTION	REVISED BY	APPROVED BY	DATE