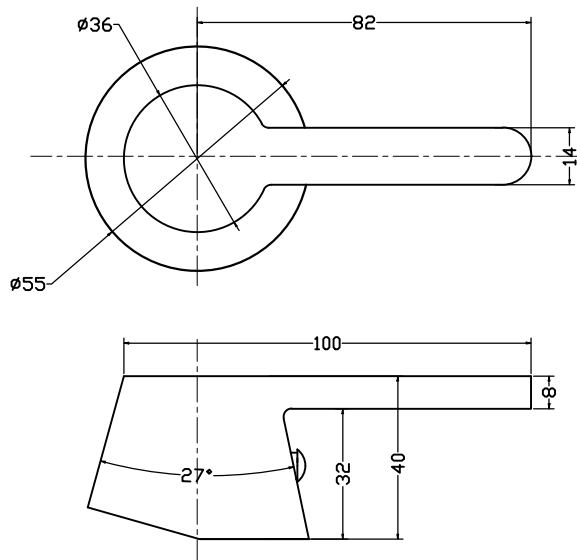


WALL FLANGE



BRASS HANDLE

NOTE: EXPOSED KIT IS COMPATIBLE WITH S/L CONCEALED DIVERTER BODY F850035

ALL DIMENSIONS ARE IN MM		<p style="text-align: center;"><b>HSIL LIMITED</b>          TIKRI TRADING DIVISION P.O. TIKRI KALAN,          DELHI -ROHTAK ROAD, DELHI 110041</p>			PRODUCT CAT. NO.:	F220037	
SCALE :	NTS				PRODUCT SAP CODE:		
SHEET SIZE:	A4	TITLE: BARREL FINISHED DRAWING	PRODUCT RAW MATERIAL:	Brass	UPDATED ON:	22.07.2020	
		DESCRIPTION: UPPAR PARTS 3 WAY DIVERTOR	PRODUCT APPROVED WEIGHT WITH ACCESSORIES:				
		REVISION CODE	REASON FOR CHANGE	REVISION DATE	DRAWN BY	CHECKED BY	VERIFIED BY
01		22.07.2020	ENGINEER	ENGINEER	MANAGER	AGM	

This Drawing remain the property of HSIL Ltd.TTD.If must not,even in part,be reproduced or may available to un Athorised person without express concerned of HSIL Ltd. TTD and may be used only for agreed purposed