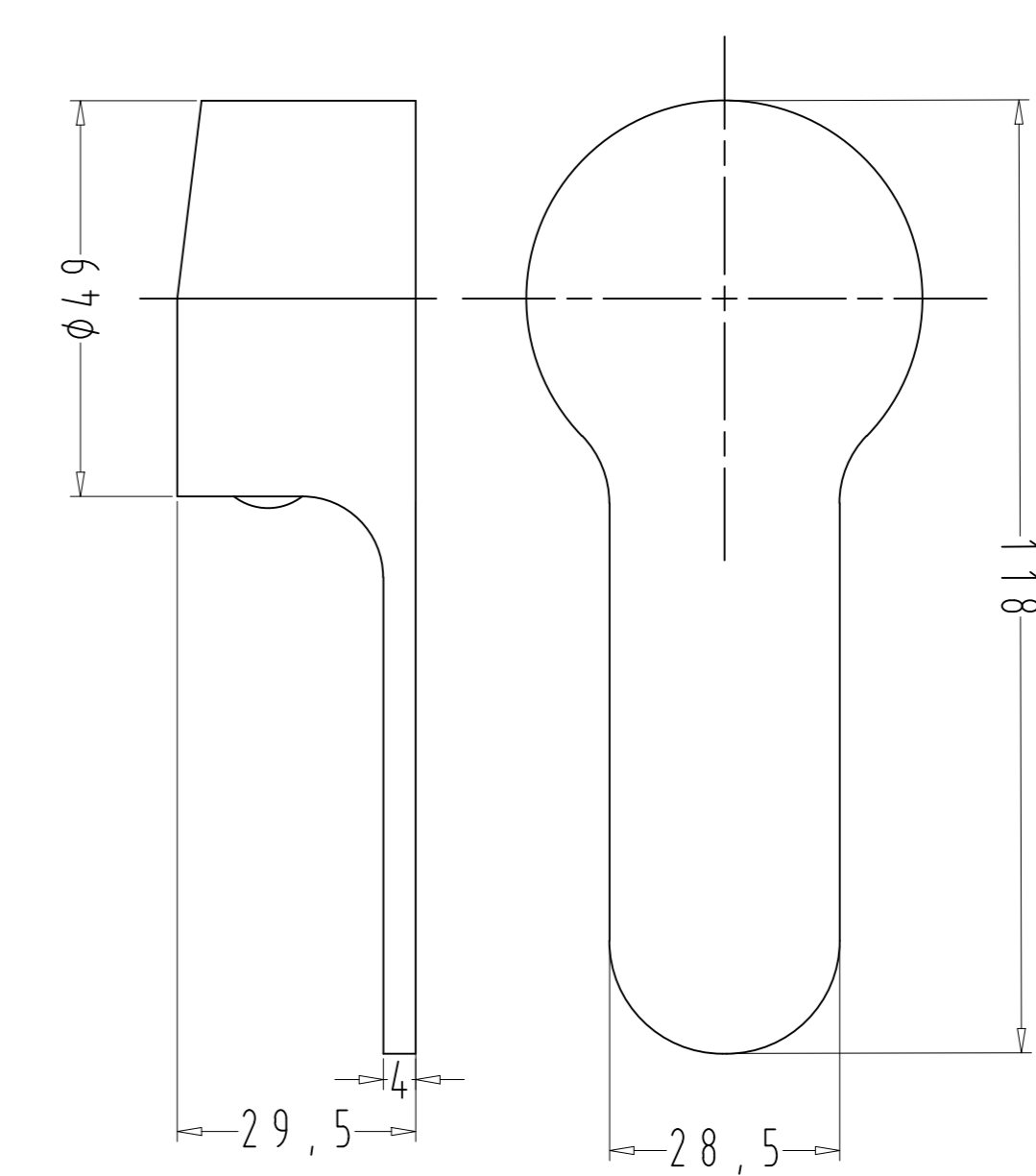
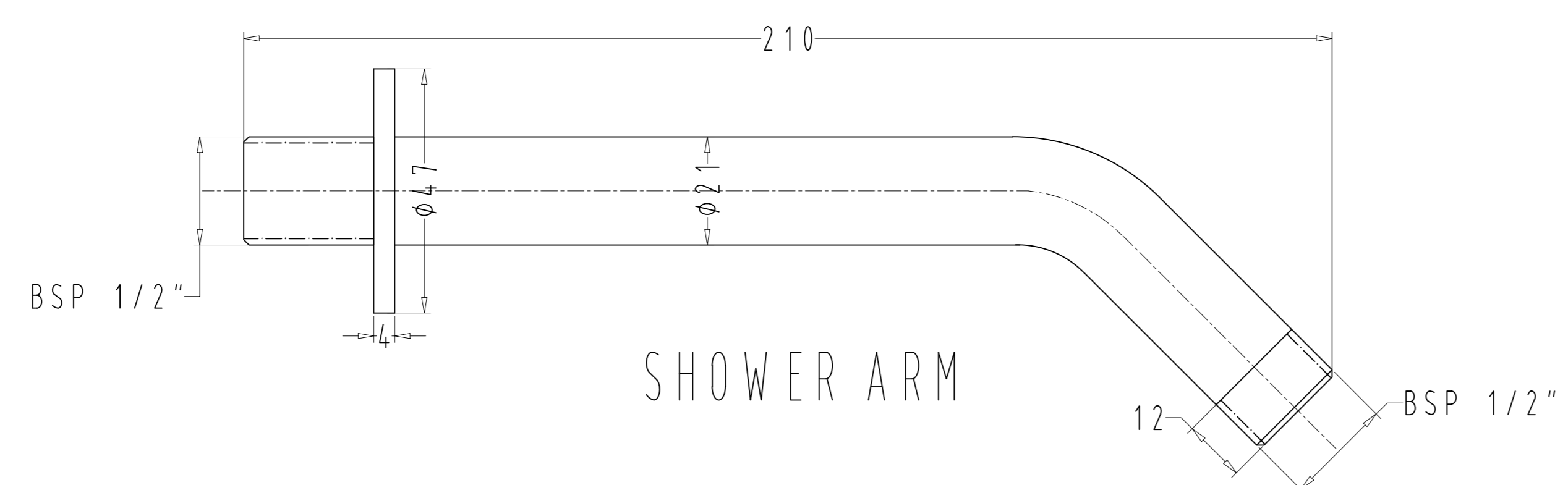


SL HI FLOW CONCEALED DIVERTOR

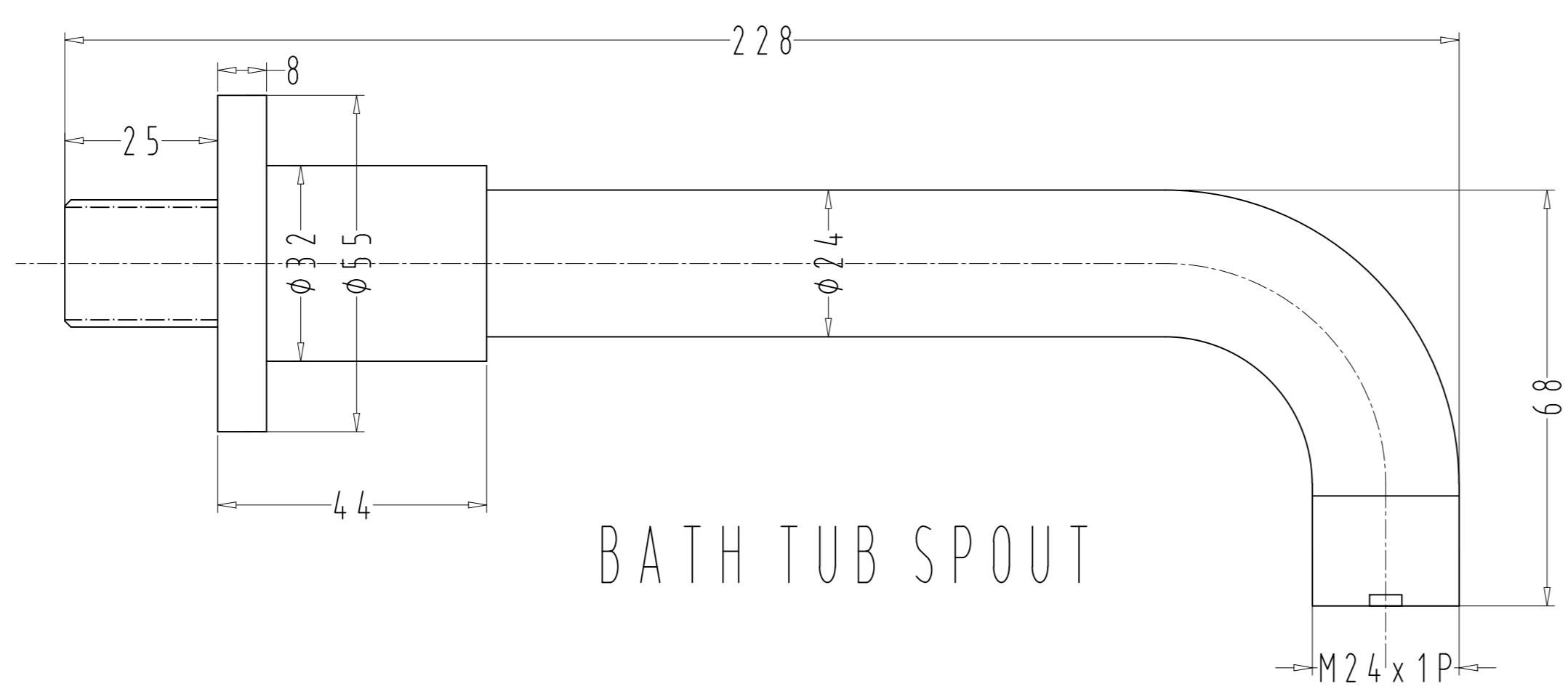
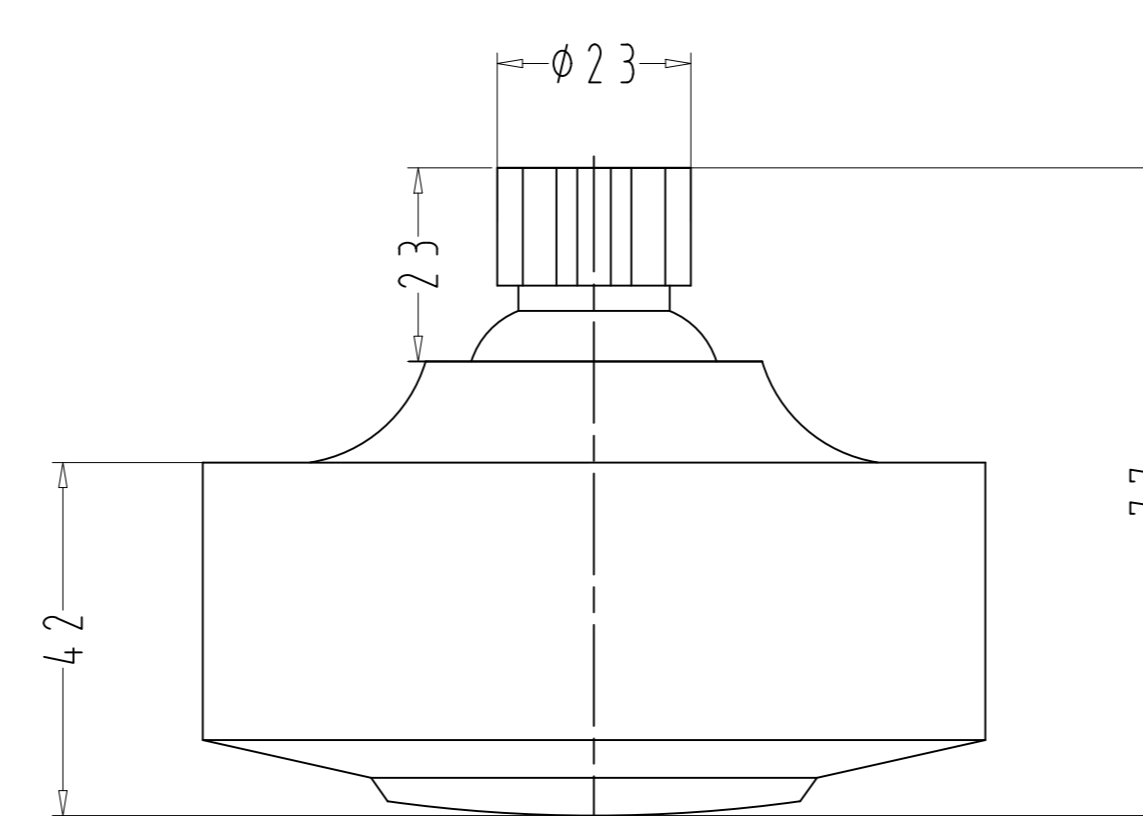
HIFLOW DIVERTOR PLATE



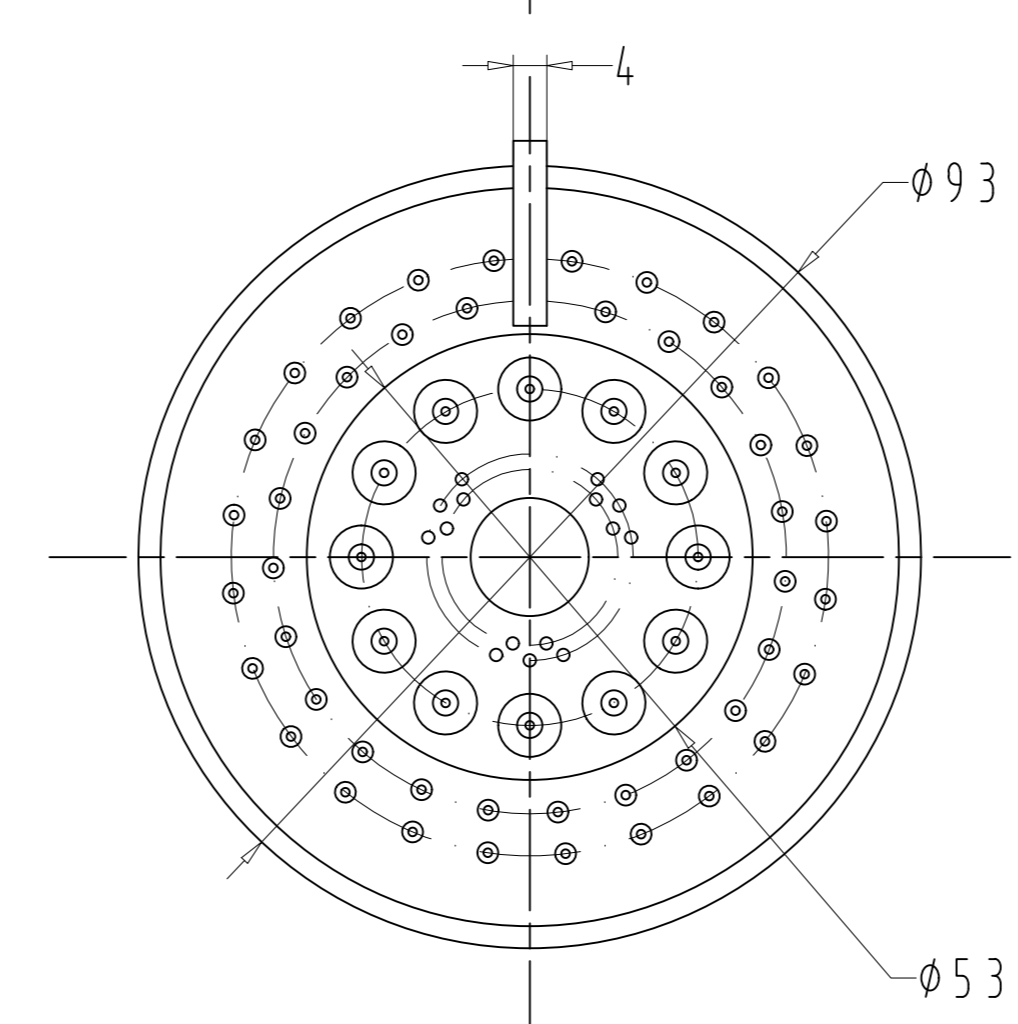
DIVERTOR HANDLE



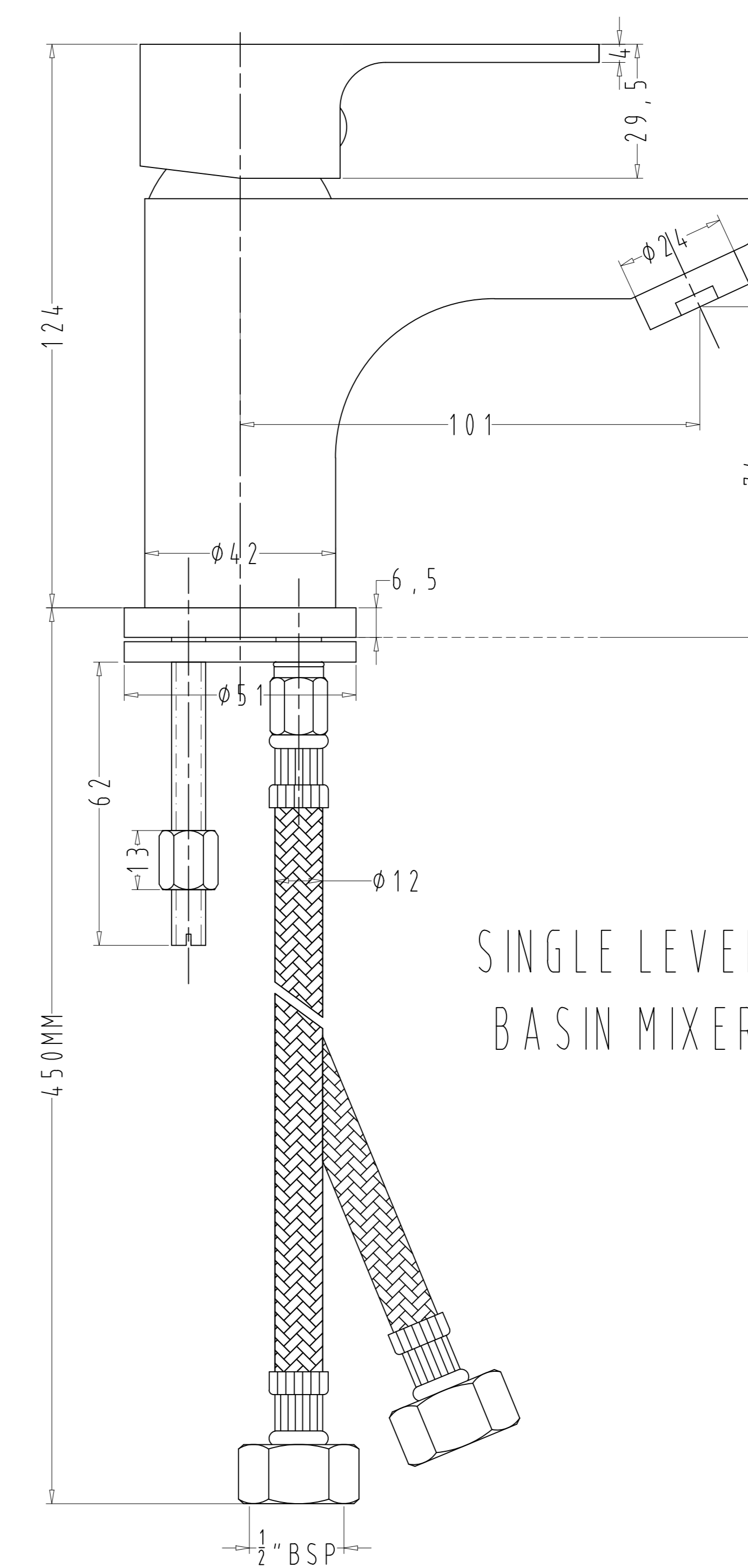
SHOWER ARM



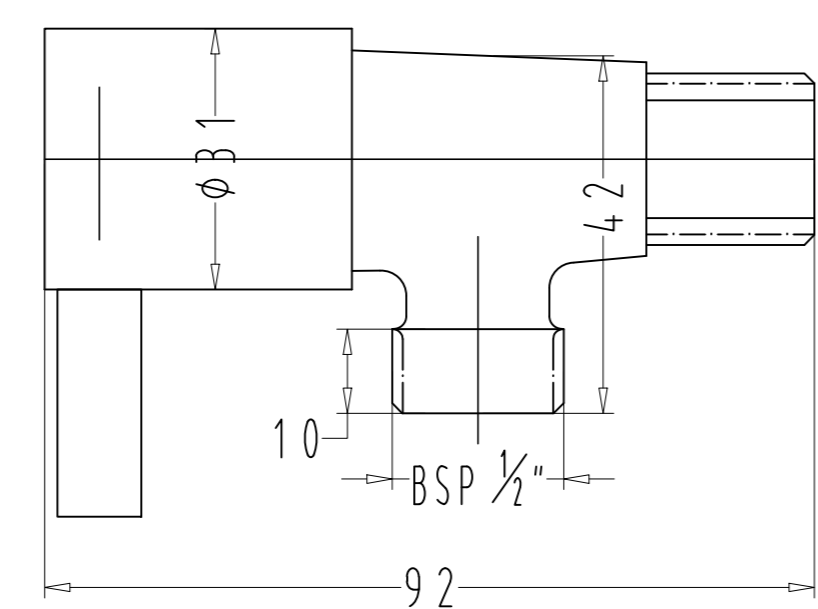
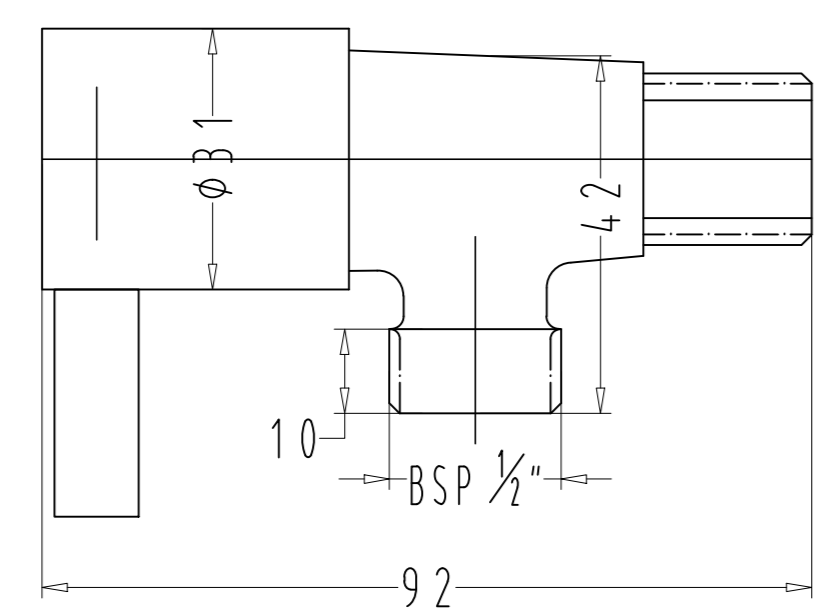
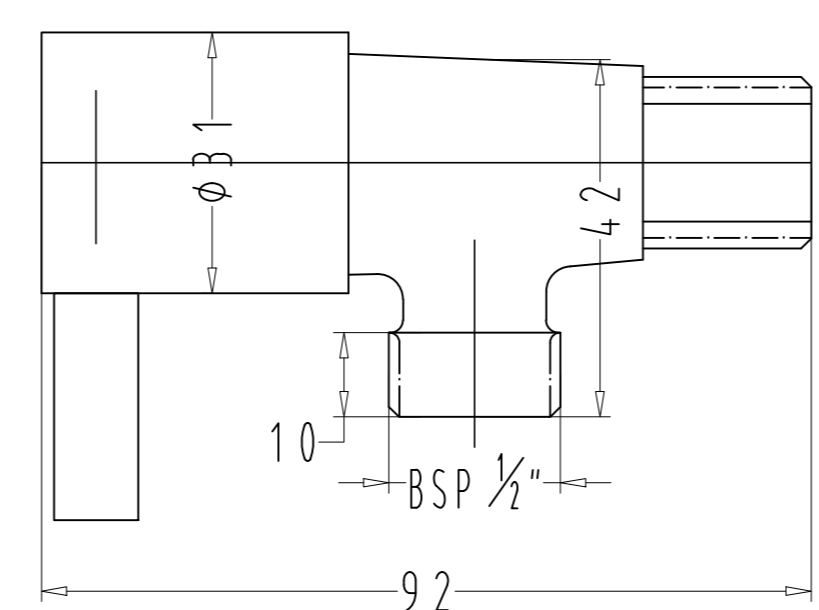
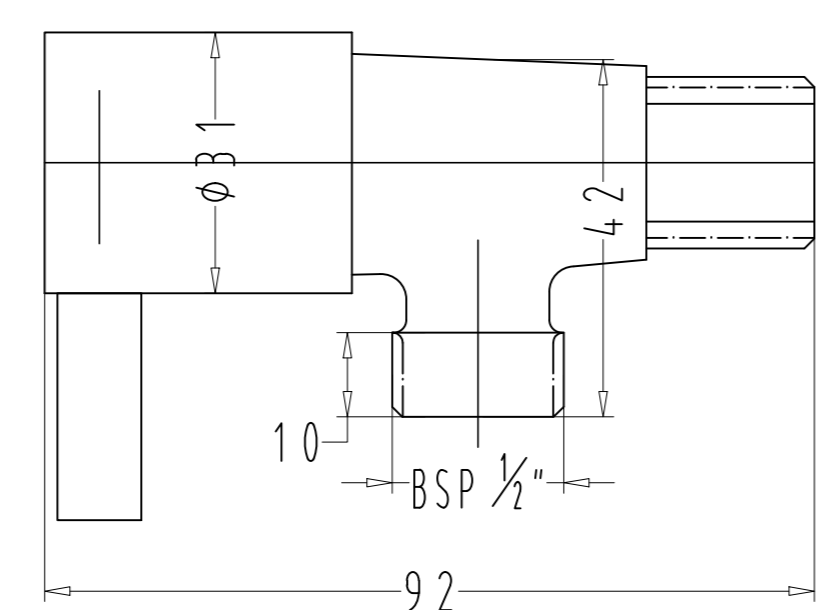
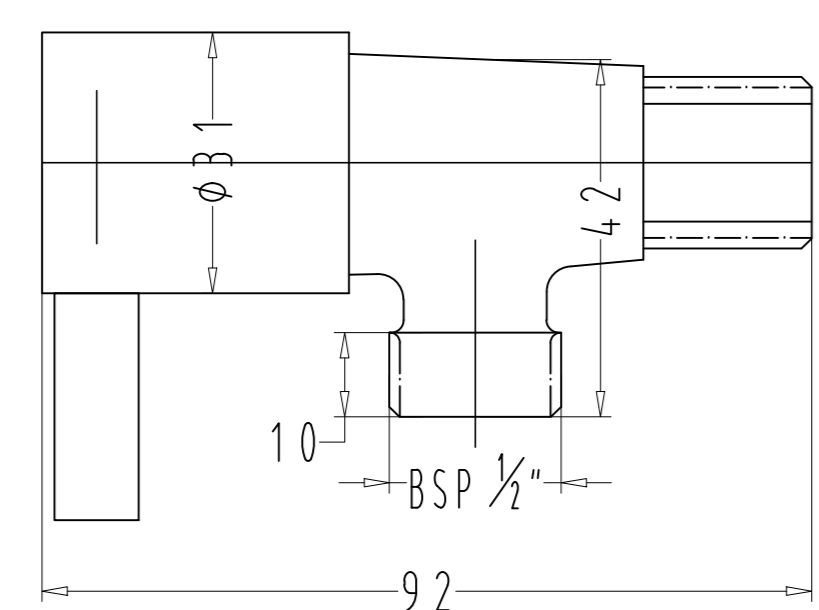
BATH TUB SPOUT



OVER HEAD SHOWER



SINGLE LEVER BASIN MIXER



05 NOS.ANGLE VALVE

SPLENDID DUO
 CAT. No. F430003
 COMBO SET WITH HI FLOW CONCEALED DIVERTOR
 & SINGLE LEVER BASIN MIXER