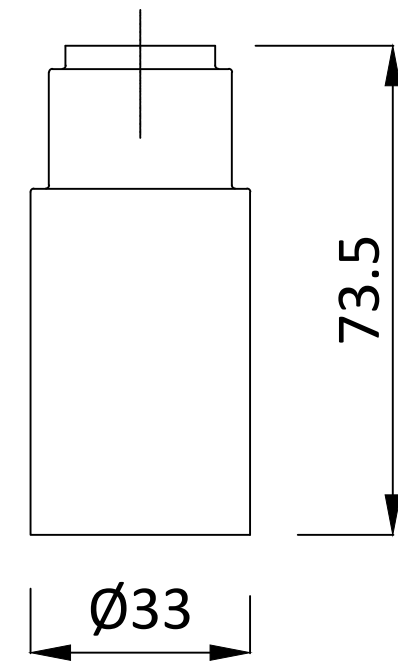
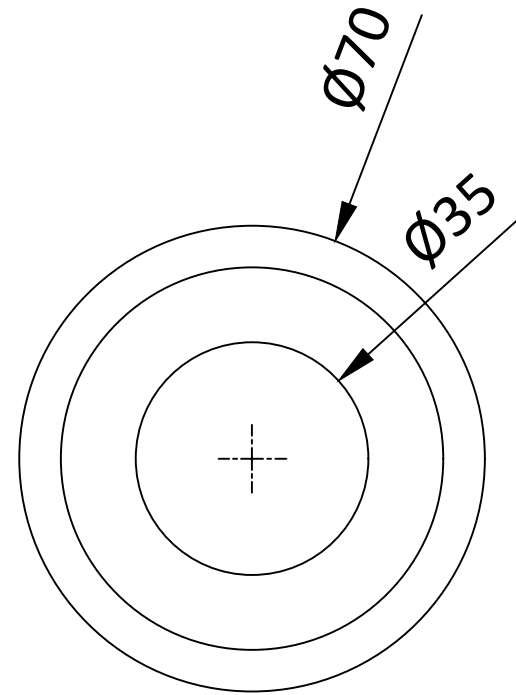
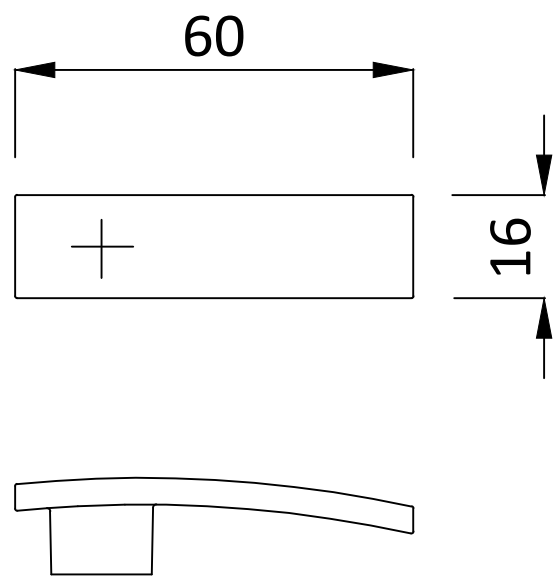


PART DESCRIPTION - EXP. KIT-SLEEVE,HANDLE,W.FLG-15&20MM CSC

CAT.NO. F460018CP



RSC