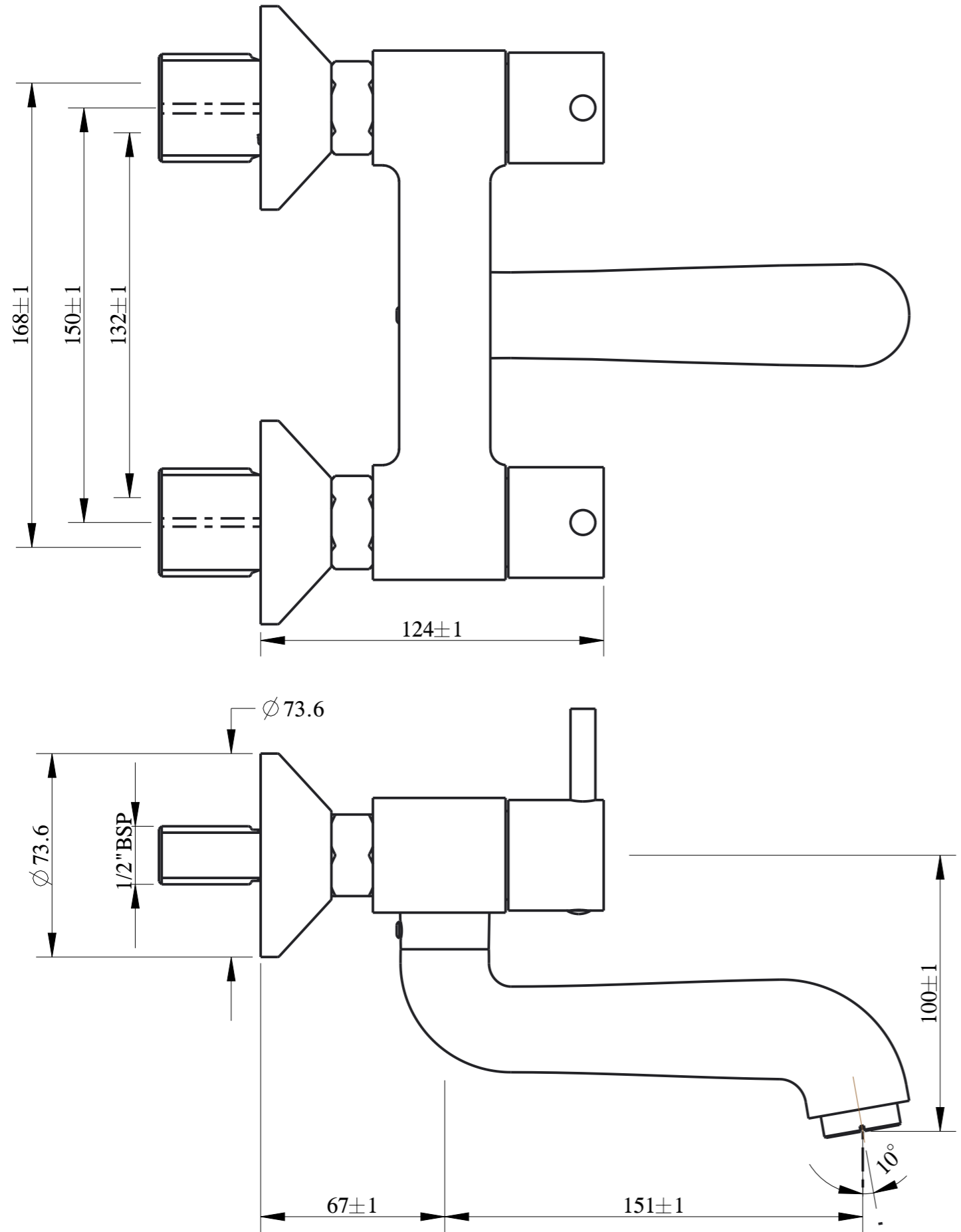


THIS DRAWING IS SOLE PROPERTY OF HSIL LTD.  
COPYING, TRACING, DUPLICATING, MISUSE IS  
NOT ALLOWED.

○ MACHINING DRAWING  
 ○ CASTING DRAWING  
 ● ASSEMBLY DRAWING  
 ○ BOP DRAWING

○ CRITICAL DIMENSION  
 ALL DIMENSION ARE IN MM



SURFACE FINISH		
TRIANGULAR INDICATOR	N-GRADE	Ra-VALUE(μm)
	N11 - N12	25 ~ 50
	N09 - N10	6.3 ~ 12.5
	N07 - N08	1.6 ~ 3.2
	N04 - N06	0.2 ~ 0.8
	N01 - N03	0.025 ~ 0.1
UNSPECIFIED TOLERANCE		
0.0 ~ 6.0 ± 0.1	6.0 ~ 30.0 ± 0.2	
30.0 ~ 100.0 ± 0.3	100.0 ~ 300.0 ± 0.5	

SCALE :	NTS	2015	NAME	DATE
MATERIAL :	SEE DEATAIL	DRN. BY	YOGESH	21/12/2015
TREATMENT :	SEE DEATAIL	CKD BY		
WEIGHT :	SEE DEATAIL	APPD BY	PARDEEP	
		DESCRIPTION:	WALL MIXER NTS	

**HSIL**

PLOT NO. SP1-254  
KAHARANI INDUSTRIAL AREA  
BHIWADI, RAJASTHAN

DRG. NO. : F280016CP

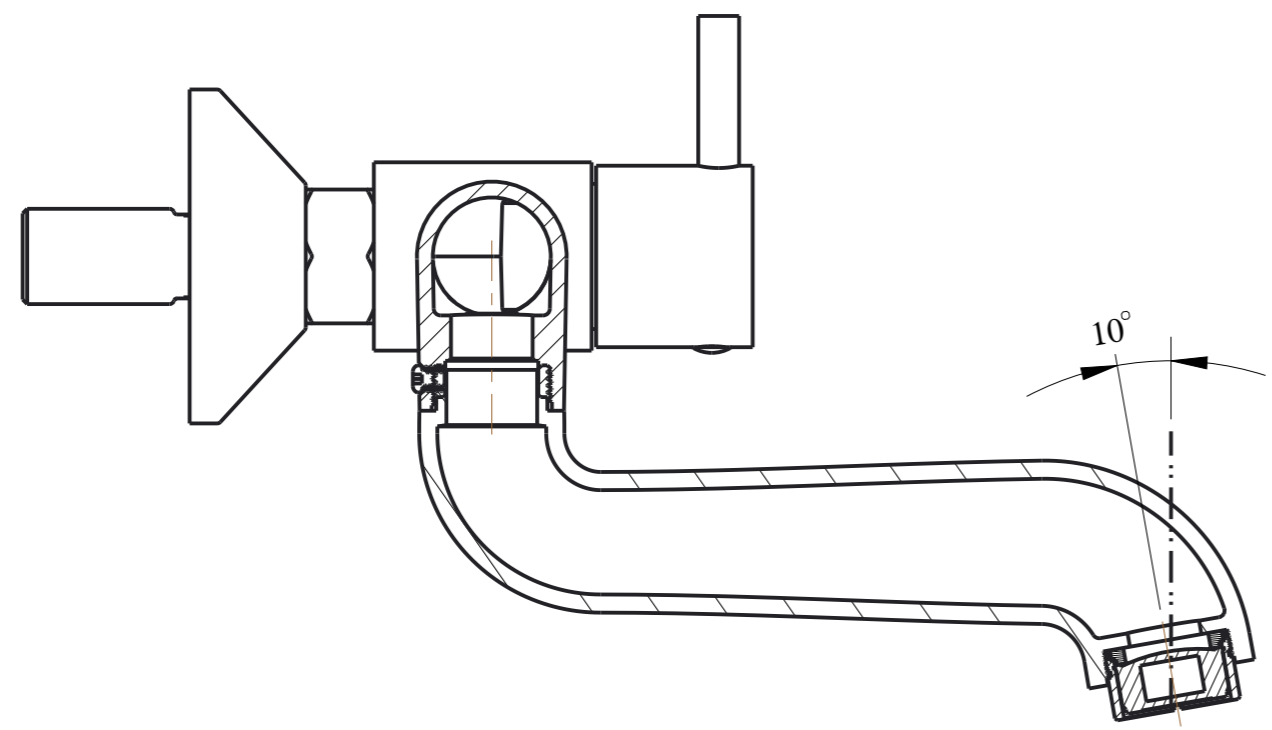
RANGE:  
FLORA

REV. NO.  
00

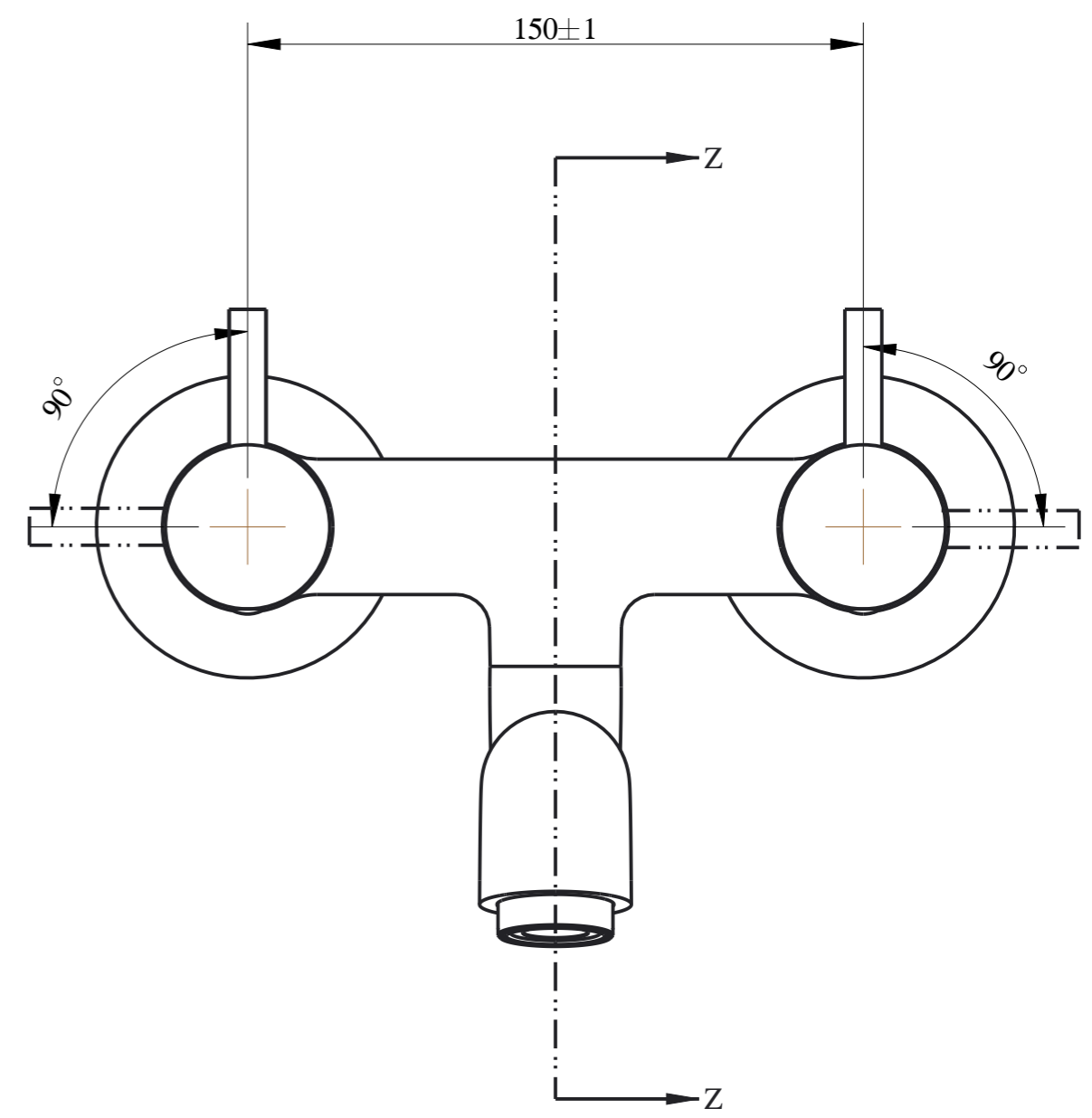
00		PRODUCTION RELEASE	YOGESH		
SR. NO.	ECN NO.	DESCRIPTION	REVISED BY	APPROVED BY	DATE

RELEASE DATE:-

THIS DRAWING IS SOLE PROPERTY OF HSIL LTD.  
COPYING, TRACING, DUPLICATING, MISUSE IS  
NOT ALLOWED.



SECTION Z-Z



○ MACHINING DRAWING  
○ CASTING DRAWING  
● ASSEMBLY DRAWING  
○ BOP DRAWING

○ CRITICAL DIMENSION  
ALL DIMENSION ARE IN MM

NOTE:

- 1.) ALL PARTS FITTING SHOULD BE SMOOTH.
- 2.) NO SCRATCH, DENT ALLOWED ON ASSEMBLED PARTS.
- 3.) INSURE ALL PARTS FUNCTIONLY OK PRIOR TO ASSEMBLY.
- 4.) HANDLE MOVEMENT SHOULD BE SMOOTH AFTER ASSY.
- 5.) INSURE ALL PARTS WORKING PROPERLY AS PER THEIR FUNCTION AFTER ASSY.
- 6.) FITTING TIGHTENING TORQUE TO BE 6 N/m.

TESTING PARAMETER

- 7.) FLOW RATE AT PRESSURE 1 kg/cm<sup>2</sup> = 8-10 LPM
- 8.) FLOW RATE AT PRESSURE 3 kg/cm<sup>2</sup> (LPM) = 10-14 LPM
- 9.) WATER AFTER TIGHTNESS TEST AT 16 kgf/cm<sup>2</sup> FOR 90 SEC= NO LEAKAGE FOUND

PRESSURE TEST :

- 10.) NO LEAKAGE AT 25 kg/cm<sup>2</sup>

SURFACE FINISH		
TRIANGULAR INDICATOR	N-GRADE	Ra-VALUE(μm)
	N11 - N12	25 ~ 50
	N09 - N10	6.3 ~ 12.5
	N07 - N08	1.6 ~ 3.2
	N04 - N06	0.2 ~ 0.8
	N01 - N03	0.025 ~ 0.1
UNSPECIFIED TOLERANCE		
0.0 ~ 6.0 ± 0.1	6.0 ~ 30.0 ± 0.2	
30.0 ~ 100.0 ± 0.3	100.0 ~ 300.0 ± 0.5	

SCALE :	NTS	2015	NAME	DATE
MATERIAL :	DRN. BY	YOGESH	21/12/2015	
SEE DEATAIL	CKD BY			
TREATMENT:	APPD BY	PARDEEP		
SEE DEATAIL	DESCRIPTION:	WALL MIXER NTS		
WEIGHT:				
SEE DEATAIL				

**HSIL**

PLOT NO. SP1-254  
KAHARANI INDUSTRIAL AREA  
BHIWADI, RAJASTHAN

DRG. NO. : F280016CP  
RANGE: FLORA

REV. NO. 00

00		PRODUCTION RELEASE	YOGESH		
SR. NO.	ECN NO.	DESCRIPTION	REVISED BY	APPROVED BY	DATE

RELEASE DATE:-