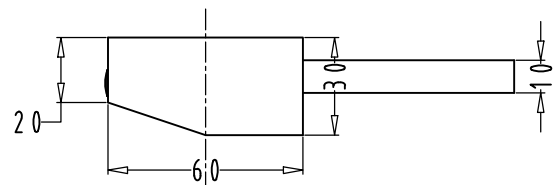
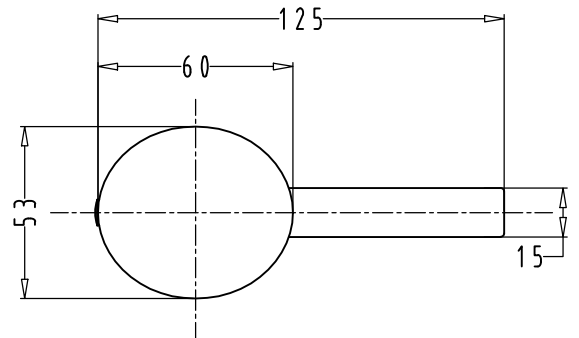
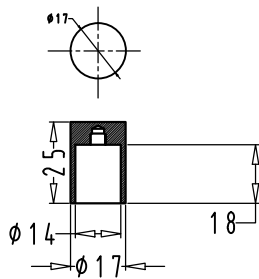


WALL FLANGE WITH 'O'RING



HANDLE



KNOB

NOTE: EXPOSED KIT IS COMPATIBLE WITH S/L CONCEALED DIVERTOR BODY F850090

ALL DIMENSIONS ARE IN MM		<p style="text-align: center;"><b>HSIL LIMITED</b>          TIKRI TRADING DIVISION P.O. TIKRI KALAN,          DELHI-ROHTAK ROAD, DELHI 110041</p>				PRODUCT CAT. NO.:	F450015CP
SCALE :	NTS					PRODUCT SAP CODE:	
SHEET SIZE:	A4	PRODUCT RAW MATERIAL:	ss				
		UPDATED ON:	04.03.2017				
		PRODUCT APPROVED WEIGHT WITH ACCESSORIES:					
REVISION CODE	REASON FOR CHANGE	REVISION DATE	DRAWN BY	CHECKED BY	VERIFIED BY	APPROVED BY	
			ENGINEER	ENGINEER	MANAGER	AGM	

This Drawing remain the property of HSIL Ltd.TTD.If must not,even in part,be reproduced or may available to un Authorised person without express concerned of HSIL Ltd. TTD and may be used only for agreed purposed