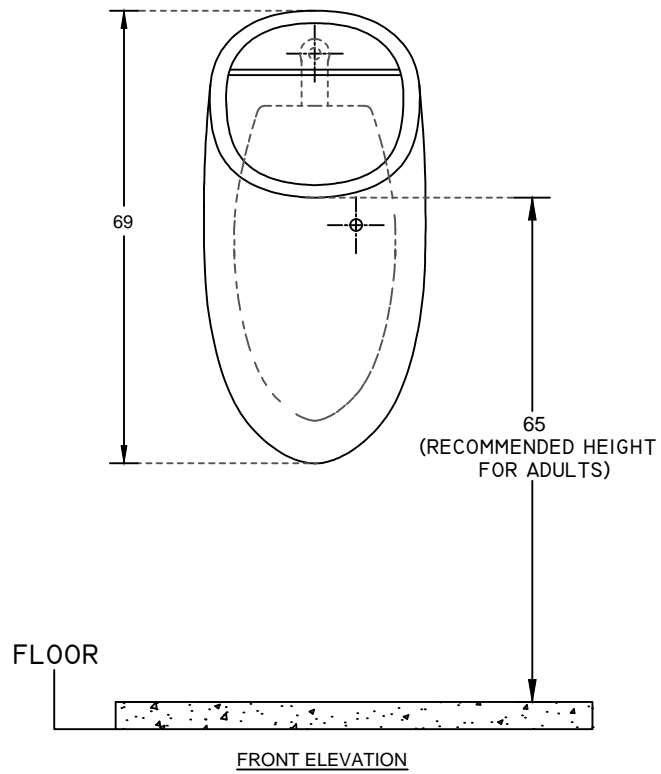


PLAN VIEW



		HSIL LIMITED, BAHADURGARH	
CATALOGUE No.: 96005		ITEM DESCRIPTION: ALEXA E SENSE URINAL (34.5 X 33 X 69 CM)	
DRAWN:		UNIT: CM	
CHECKED:		SCALE: 1/10	
APPROVED:		DRG. No. : URN/018 Rev. No. : 0	
DATE: 12.11.2008			