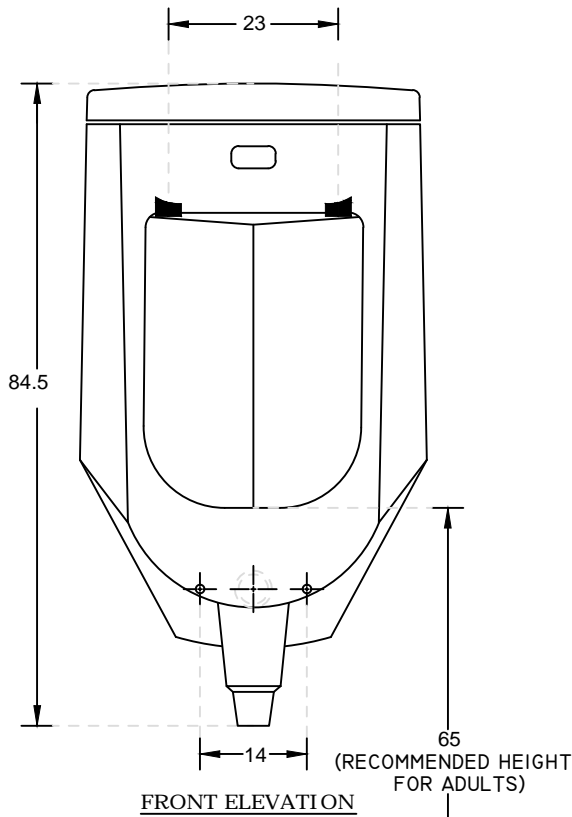



PLAN VIEW



FRONT ELEVATION

FLOOR

		<b>HSIL LIMITED, BAHADURGARH</b>
CATALOGUE No.: 60013 ITEM DESCRIPTION: URINAL SENSOMATIC (48.5 x 37 x 84.5 cm)		
DRAWN:		UNIT: CM
CHECKED:		SCALE: 1:10
APPROVED:		DRG. No.: URN/015 Rev. No.: 1
DATE: 07.04.2011		