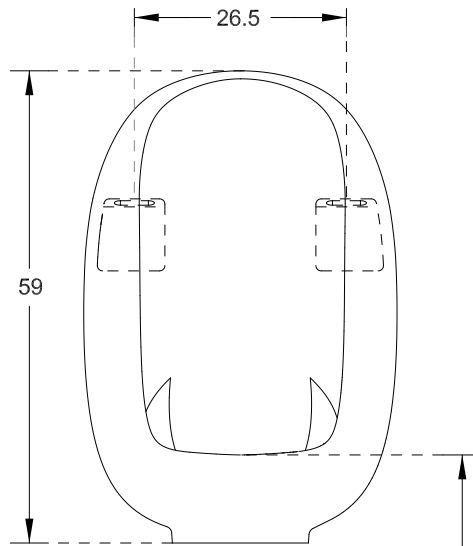
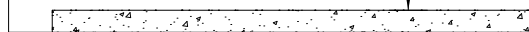


PLAN VIEW



65
(RECOMMENDED HEIGHT FOR ADULTS)

FLOOR



FRONT ELEVATION

HSIL LIMITED, BAHADURGARH	
CATALOGUE No.: 60002	
ITEM DESCRIPTION: URINAL FLAT BACK - LARGE (39 x 37.5 x 59 cm)	
DRAWN:	UNIT: CM
CHECKED:	SCALE: 1:10
APPROVED:	DRG. No. : URN/003 REV. No. : 1
DATE: 07.04.2011	