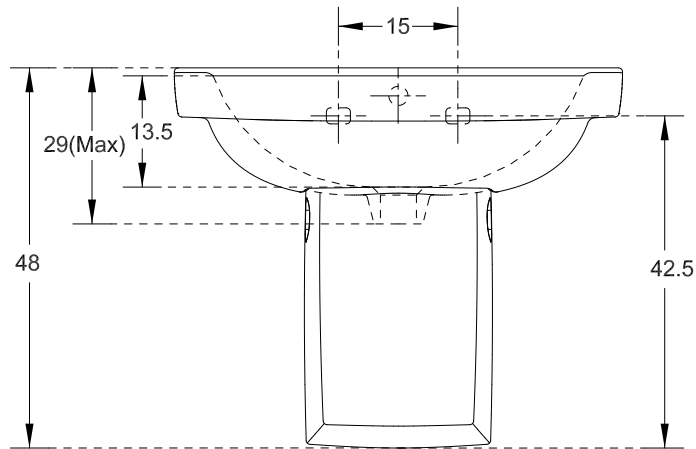


PLAN VIEW



FRONT ELEVATION

<b>HSIL LIMITED, BAHADURGARH</b>	
CATALOGUE No.: 10090 / 11036	
ITEM DESCRIPTION: WASH BASIN VIVA (56 X 48 X 48 CM) WITH HALF PEDESTAL	
DRAWN:	UNIT: CM
CHECKED:	SCALE: 1:10
APPROVED:	DRG. No. : WB/107 REV. No. : 1
DATE: 25.03.2009	