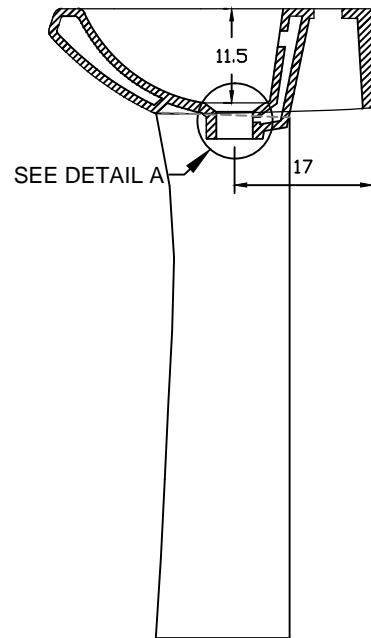
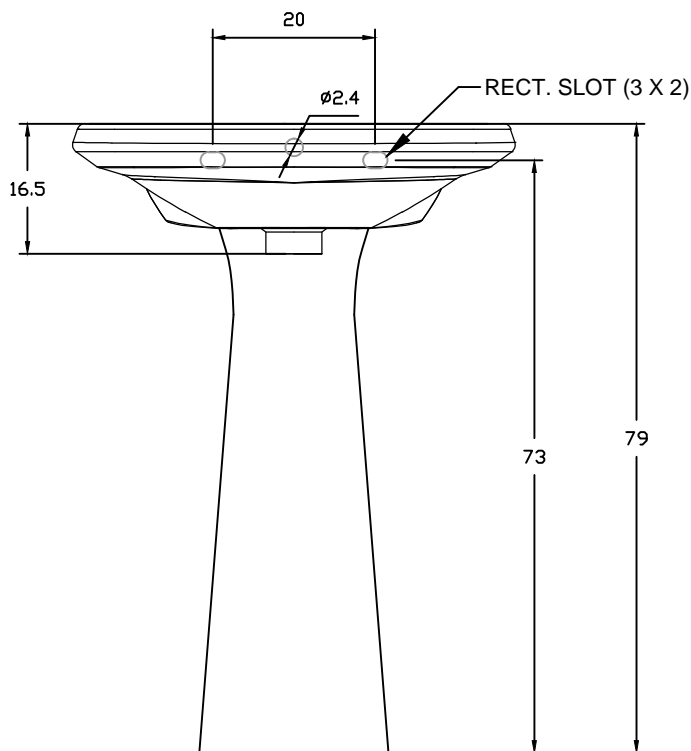


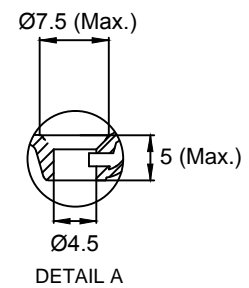
PLAN VIEW




SECTIONAL VIEW



FRONT ELEVATION



DETAIL A

 HSIL LIMITED, BAHADURGARH	
CAT NO: 10100/11003 ITEM DESCRIPTION: WB ARIEL WITH PEDESTAL(55x40x79)	
DRAWN:	UNIT:CM
CHECKED:	SCALE:1:10
APPROVED	DRAWING NO:WB/126
DATE:11.09.14	REV:ND: