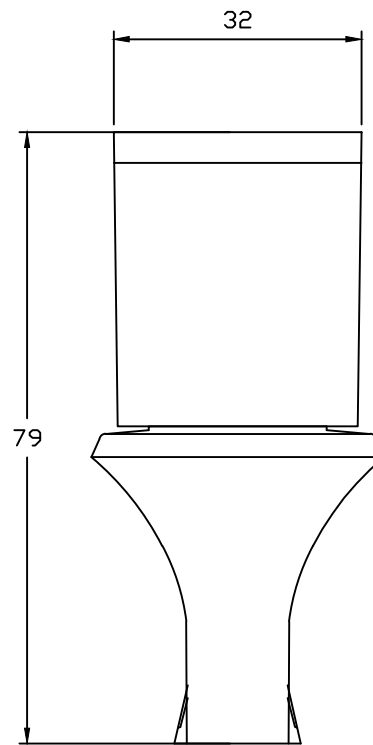
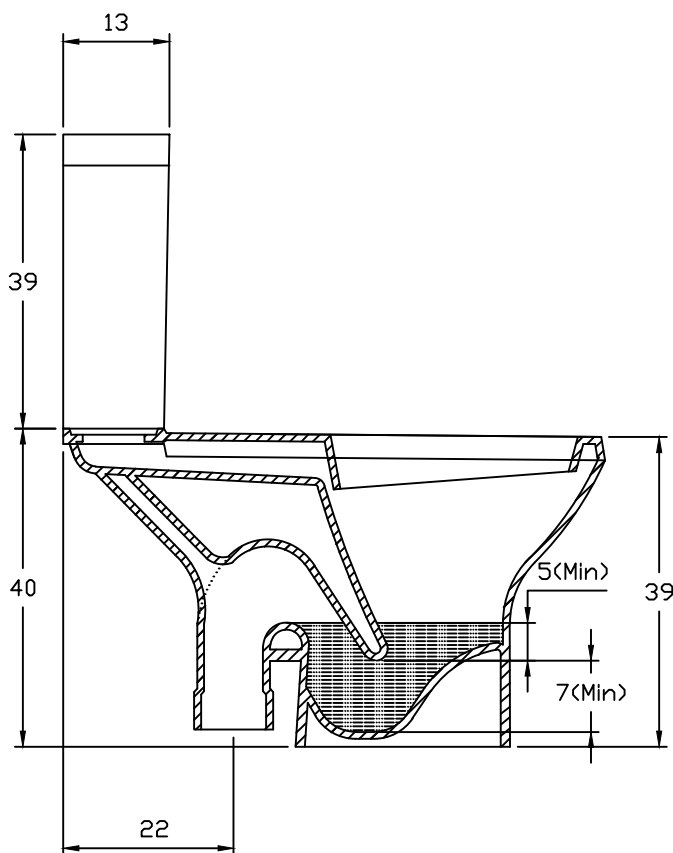



PLAN VIEW



FRONT ELEVATION



SECTIONAL VIEW

|   |             |
|---|-------------|
|  <b>HSIL LIMITED,<br/>BAHADURGARH</b> |             |
| CAT NO: 20095/21055   |             |
| ITEM DESCRIPTION: EWC ARIEL WITH CISTERN  |             |
| DRAWN:  | UNIT:CM     |
| CHECKED:  | SCALE:      |
| APPROVED  | DRAWING NO: |
| DATE:20.10.14   | REV:ND:     |