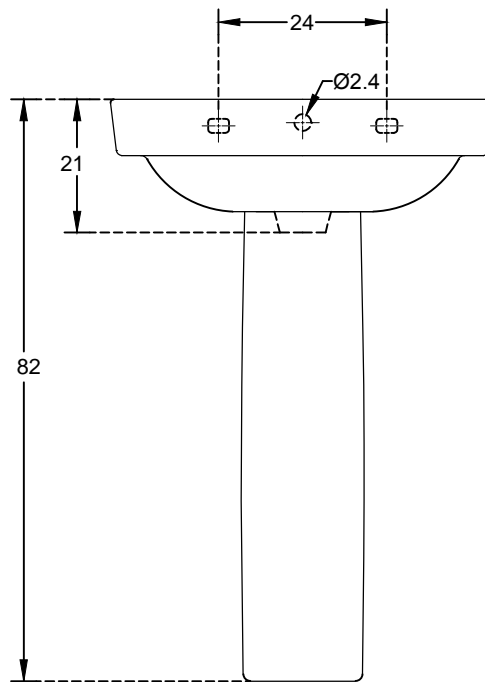


PLAN VIEW



FRONT ELEVATION

		HSIL LIMITED, BAHADURGARH	
CATALOGUE No.: 91049		WASH BASIN CEDAR (55x45x82cm) WITH FULL PEDESTAL	
DRAWN:		UNIT: CM	
CHECKED:		SCALE: 1:10	
APPROVED:		DRG. No.: WB/157 REV. No.: 0	
DATE: 05.04.2010			