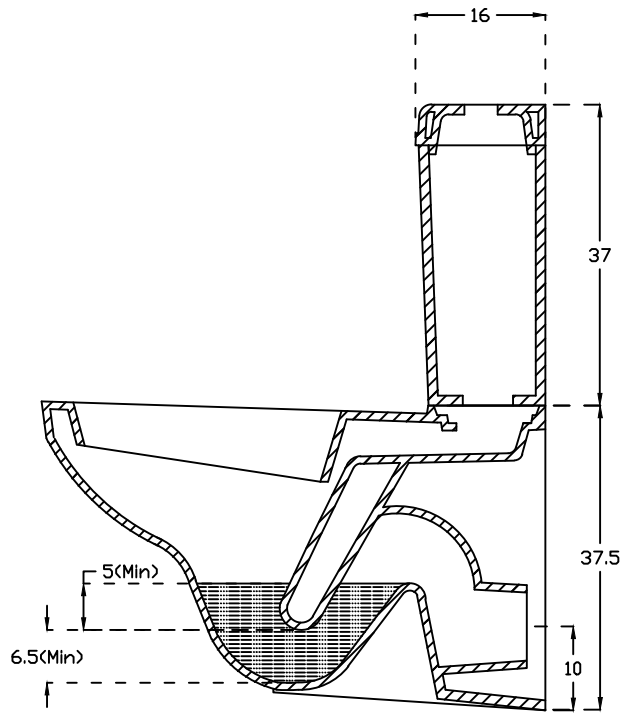
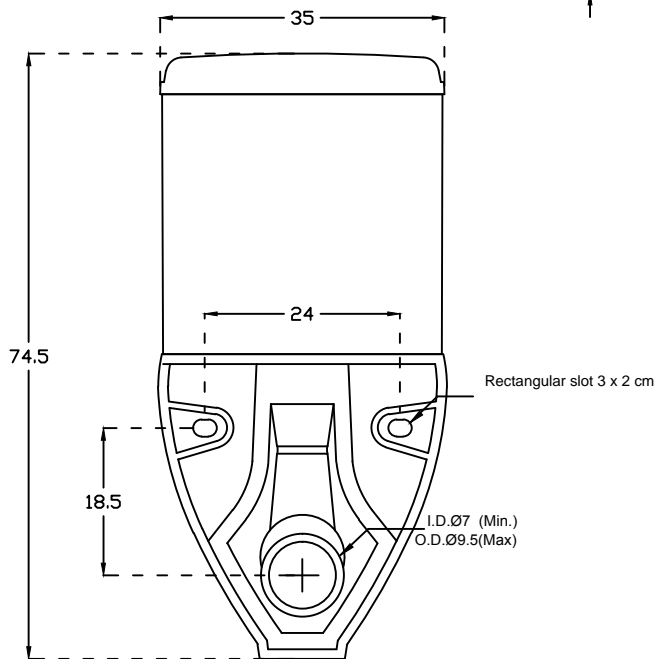


FRONT VIEW



SECTIONAL VIEW



SECTIONAL VIEW

hindware		HSIL LIMITED, BAHADURGARH	
CATALOGUE NO:20096/21056		(H X L X P) (62 x 35.5 x 74.5)	
ITEM DESCRIPTION: EWC ETIOS WITH CISTERN			
DRAWN:		UNIT:CM	
CHECKED:		SCALE:1:10	
APPROVED		DRAWING:ND:WC/180	
DATE:03.03.15		REV:ND:00	