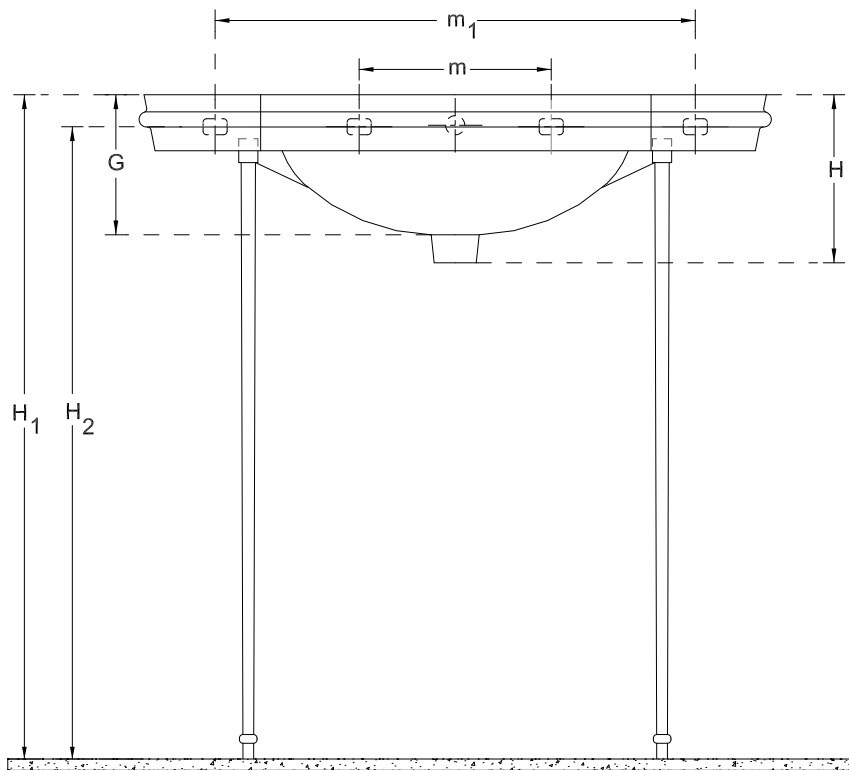


PLAN VIEW



FRONT ELEVATION

SIZE	A	B	C	D	G	m	m ₁	H	H ₁	H ₂
78 X 48	78	48	41.5	31.5	15.5	24	60	29(Max)	83	77.5
61 X 39	61	39	34.5	23.5	14.5	24	-	29(Max)	83	77.5

HSIL LIMITED, BAHADURGARH	
CATALOGUE No.: 10006	
ITEM DESCRIPTION: W.B. K2 / MINI K-2 (78 X 48 CM & 61 X 39 CM)	
DRAWN:	UNIT: CM
CHECKED:	SCALE: 1:10
APPROVED:	DRG. No. : WB/010 REV. No. : 2
DATE: 19.03.2009	