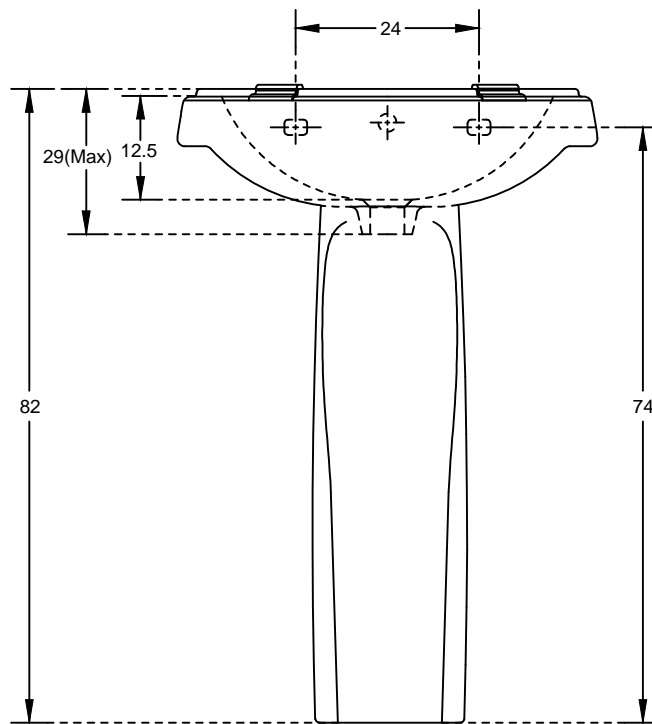


PLAN VIEW



FRONT ELEVATION

hindware

**HSIL LIMITED,  
BAHADURGARH**

CATALOGUE No.: 10032

ITEM DESCRIPTION: WASH BASIN CONSTELLATION (56X43X82 CM)

DRAWN:

UNIT: CM

CHECKED:

SCALE: 1:10

APPROVED:

DRG. No.: WB/042  
REV. No.: 2

DATE: 19.04.2011