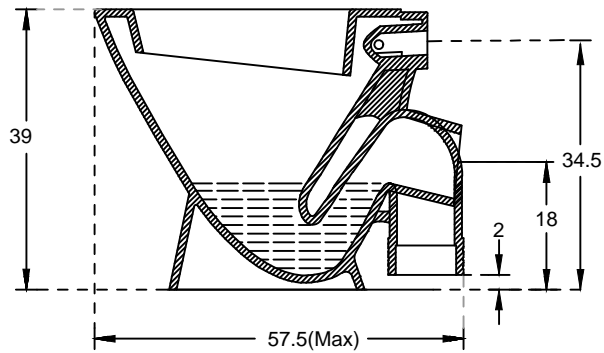


PLAN VIEW



SECTIONAL VIEW

<b>hindware</b>		<b>HSIL LIMITED, BAHADURGARH</b>
CATALOGUE No.: 20044		
ITEM DESCRIPTION: EWC POPULAR 'P' & 'S' (57.5(Max)X34.5X39CM)		
DRAWN:		UNIT: CM
CHECKED:		SCALE: 1:10
APPROVED:		DRG. No.: WC/001
DATE: 13.04.12		Rev. No.: 2