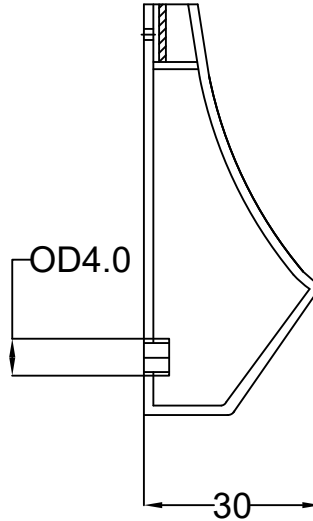
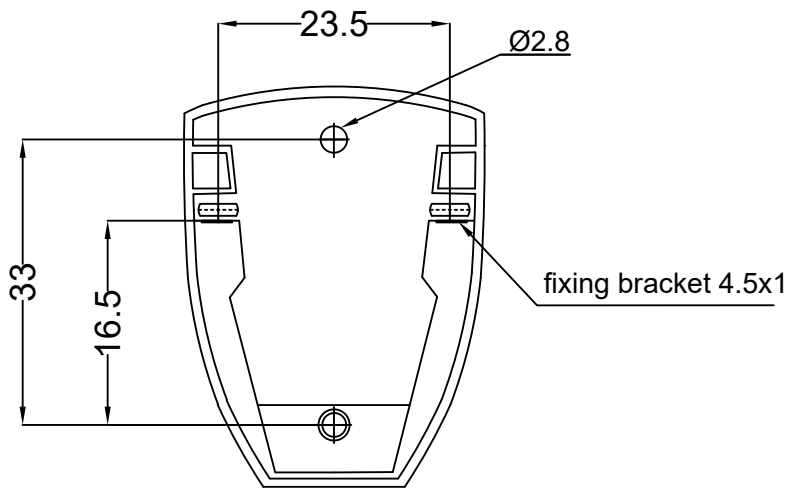


FRONT ELEVATION



SIDE VIEW



BACK VIEW

H.S.I.L	
ITEM DESCRIPTION : CORTO URINAL	ALL DIMENSIONS ARE IN CM
CAT NO.	
DRAWN :	SCALE: NTS
CHECKED :	
APPROVED :	DRAWING NO :
DATE :	