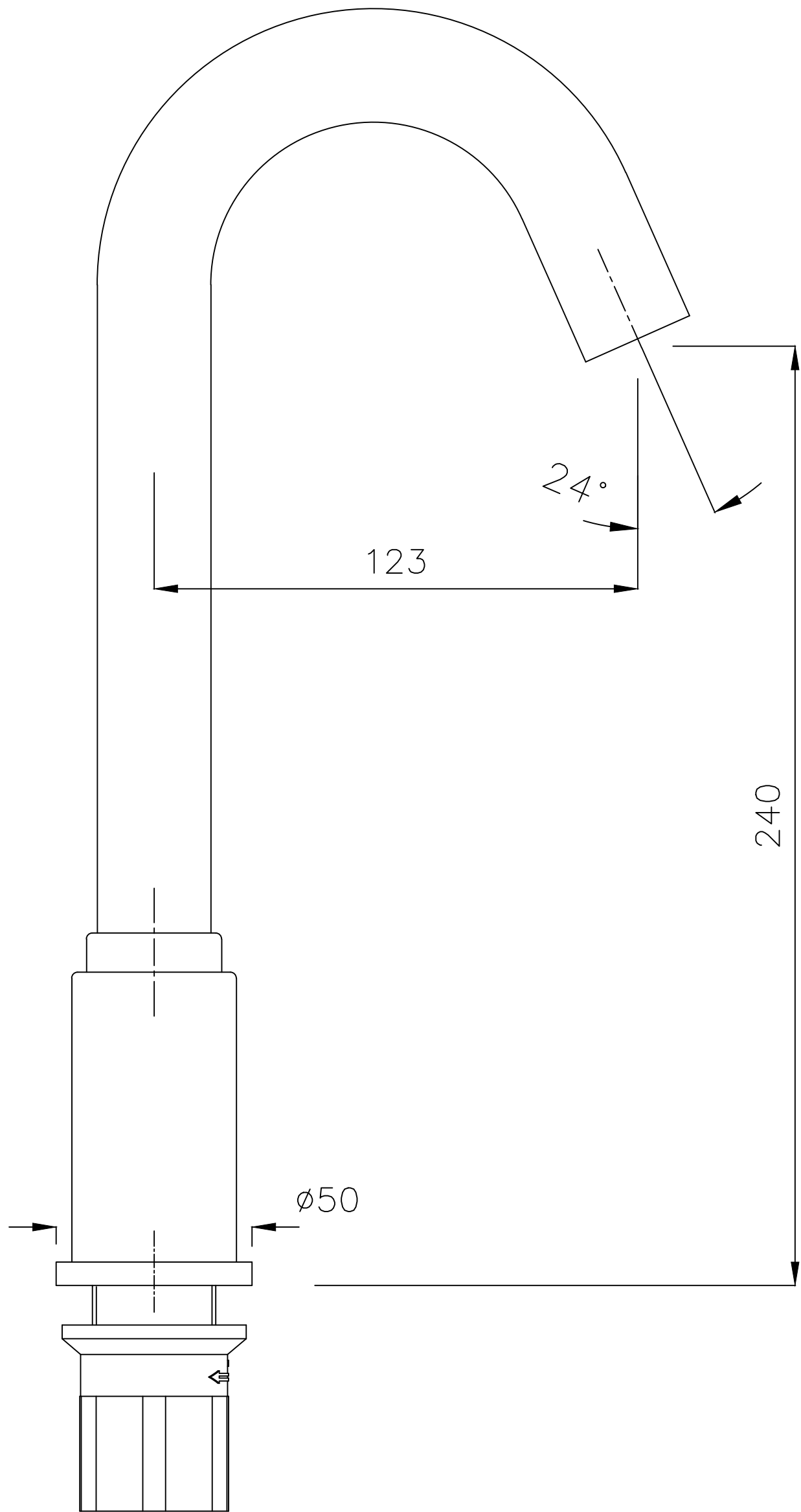


PART DESCRIPTION : Tall Pillar Sensor "FLORA" – AC/DC

CAT NO. : F240009CP



RSC/LD08020