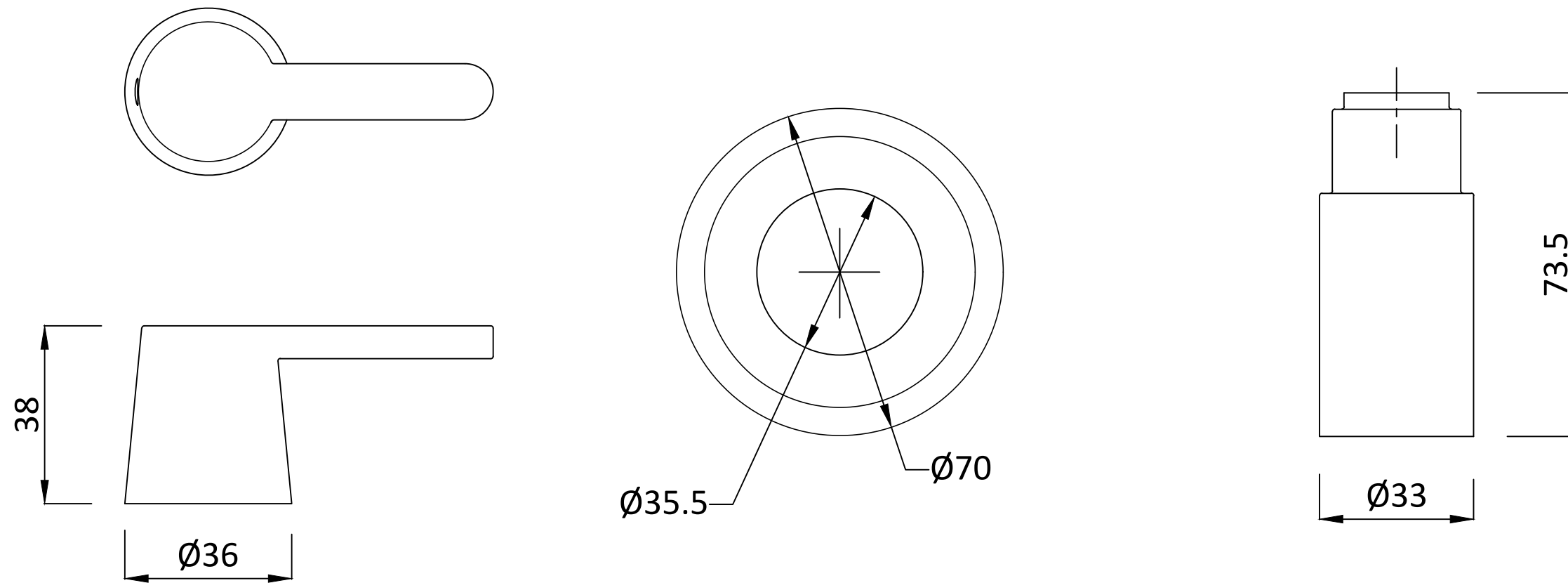


PART DESCRIPTION : EXPOSED PART KIT FOR CONCEALED STOP COCK
(WITH SLEEVE, HANDLE & FLANGE)

CAT NO. F390007CP



RSC/019