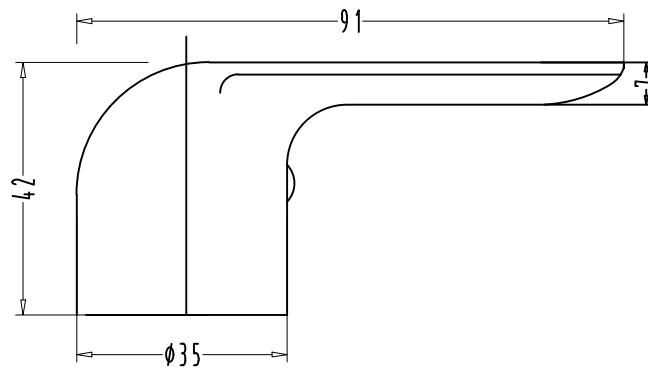
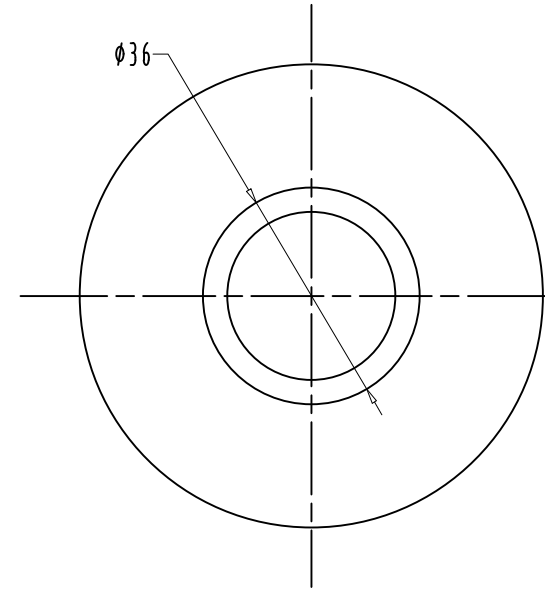


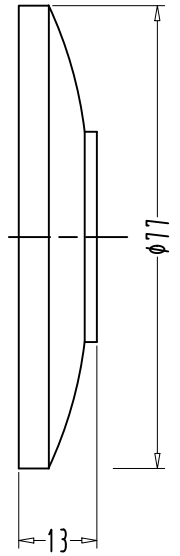
SLEEVE



HANDLE



WALL FLANGE



FLUID

CAT.NO. F400052

NAME OF COMMODITY : EXP. KIT FLUSHCOCK-SLEEVE, HANDLE & ADJ. FLANGE