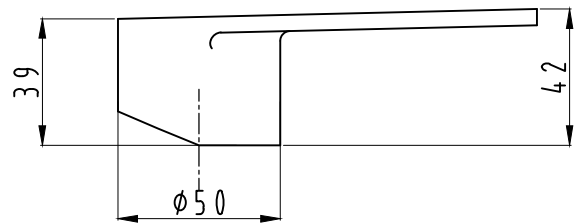
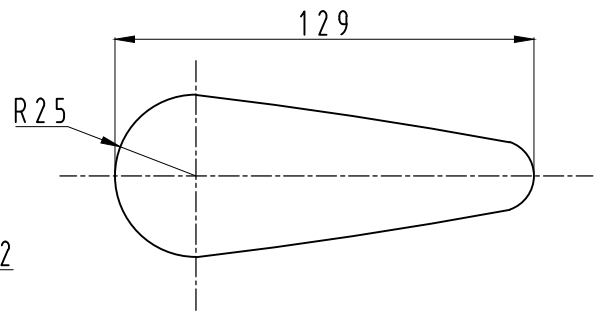


WALL FLANGE WITH 'O'RING



HANDLE

NOTE: EXPOSED KIT IS COMPATIBLE WITH CONCEALED DIVERTOR BODY (3 INLET) F850035

| | | | | | | | |
|--------------------------|-------------------|--|------------|------------|-------------|-----------------------|-----------|
| ALL DIMENSIONS ARE IN MM | | <p style="text-align: center;">HSIL LIMITED TIKRI TRADING DIVISION P.O. TIKRI KALAN, DELHI-ROHTAK ROAD, DELHI 110041</p> <p>TITLE: CORA FINISHED DRAWING</p> <p>DESCRIPTION: S/L CONCEALED BATH MIXER & DIVERTER BODY</p> | | | | PRODUCT CAT. NO.: | F440017CP |
| SCALE : | NTS | | | | | PRODUCT SAP CODE: | |
| SHEET SIZE: | A4 | | | | | PRODUCT RAW MATERIAL: | ss |
| | | UPDATED ON: | 24.02.2017 | | | | |
| | | PRODUCT APPROVED WEIGHT WITH ACCESSORIES: | | | | | |
| REVISION CODE | REASON FOR CHANGE | REVISION DATE | DRAWN BY | CHECKED BY | VERIFIED BY | APPROVED BY | |
| | | | ENGINEER | ENGINEER | MANAGER | AGM | |
| | | | | | | | |
| | | | | | | | |

This Drawing remain the property of HSIL Ltd.TTD.If must not,even in part,be reproduced or may available to un Athorised person without express concerned of HSIL Ltd. TTD and may be used only for agreed purposed