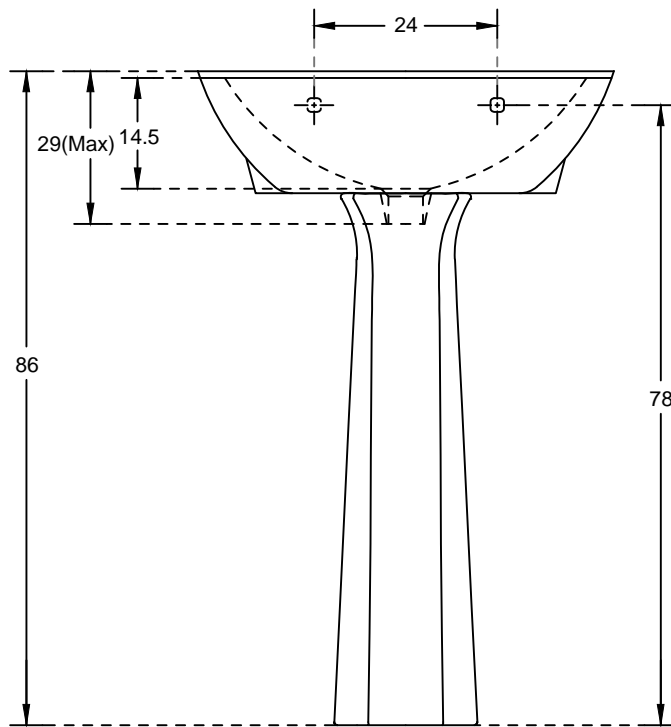


**PLAN VIEW**



**FRONT ELEVATION**

hindware  
ART

**HSIL LIMITED,  
BAHADURGARH**

CATALOGUE No.: 10072 / 11029  
ITEM DESCRIPTION: WASH BASIN NEPTUNE WITH PEDESTAL  
(55 X 47 X 86 CM)

DRAWN: UNIT: CM  
CHECKED: SCALE: 1:10

APPROVED: DRG. No.: WB/129  
DATE: 15.04.2011 REV. No.: 2