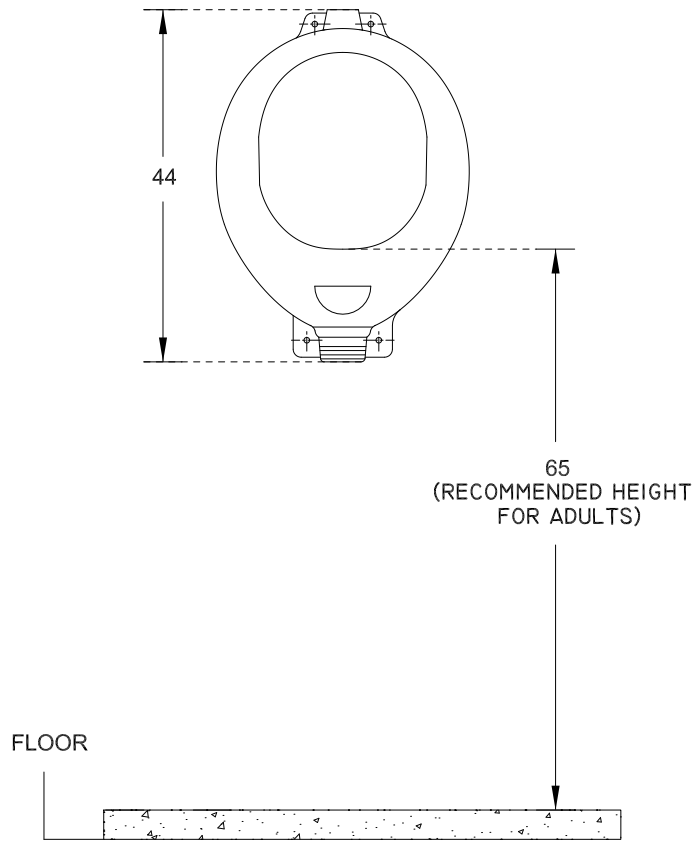


PLAN VIEW



FRONT ELEVATION

<b>HSIL LIMITED, BAHADURGARH</b>	
CATALOGUE No.:	60001
ITEM DESCRIPTION:	URINAL FLAT BACK - SMALL (31.5 x 26.5 x 44 cm)
DRAWN:	UNIT: CM
CHECKED:	SCALE: 1:10
APPROVED:	DRG. No. : URN/002 REV. No. : 1
DATE:	07.04.2011