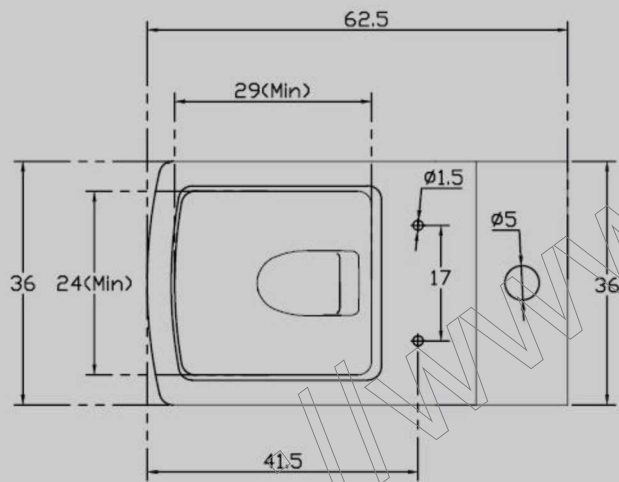
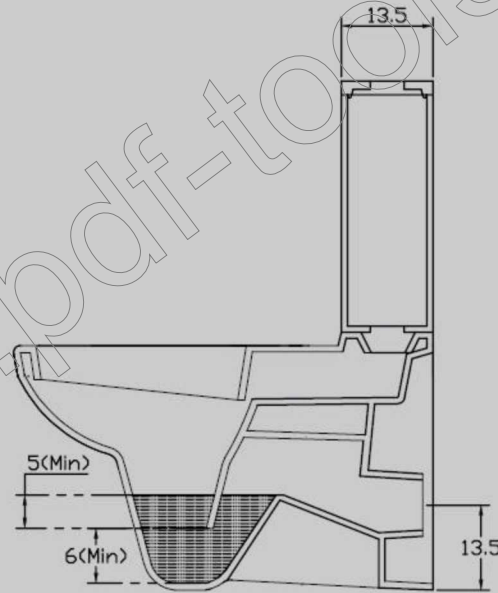


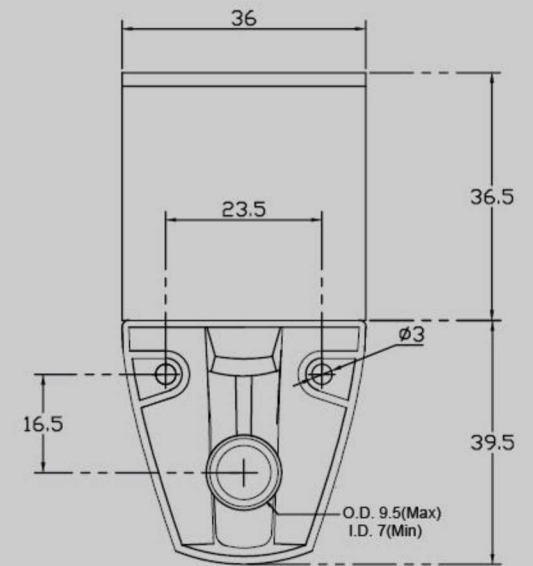
TECHNICAL DRAWING



PLAN VIEW



SECTIONAL VIEW



BACK VIEW