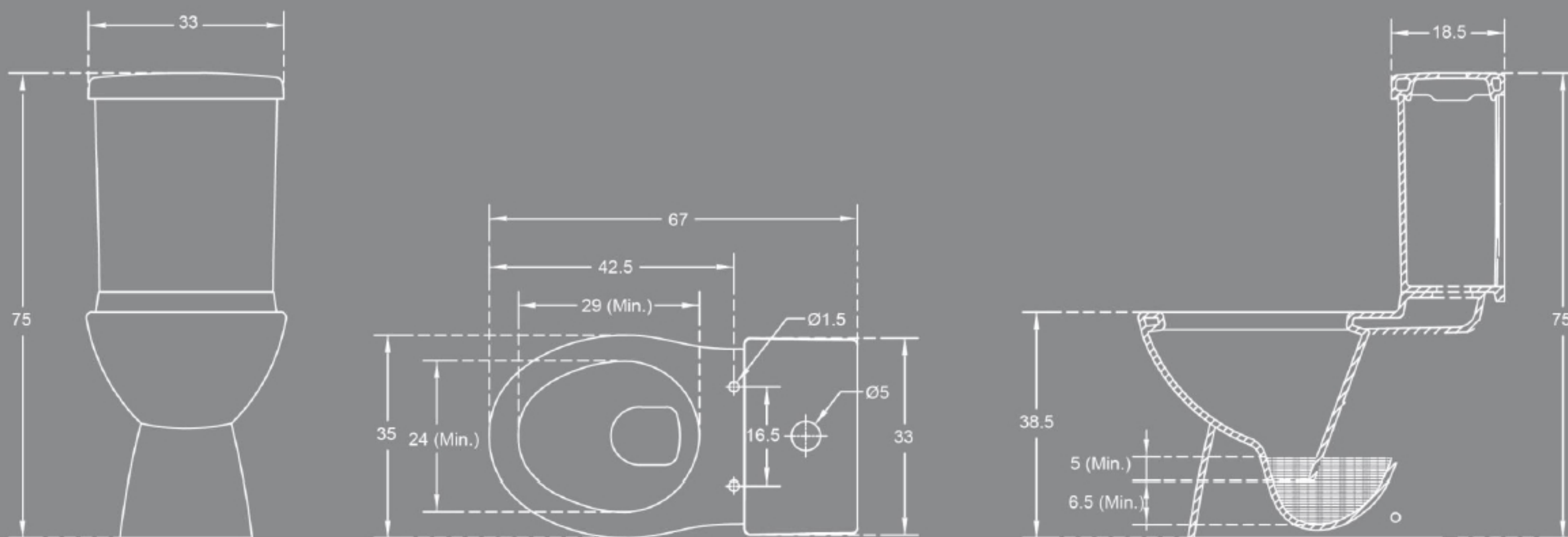


TECHNICAL DRAWING

SIZE : 67 x 35 x 75 CM



CEDAR S-220 | ONE PIECE