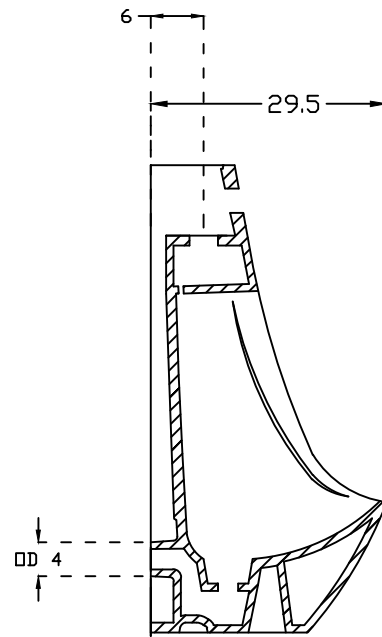
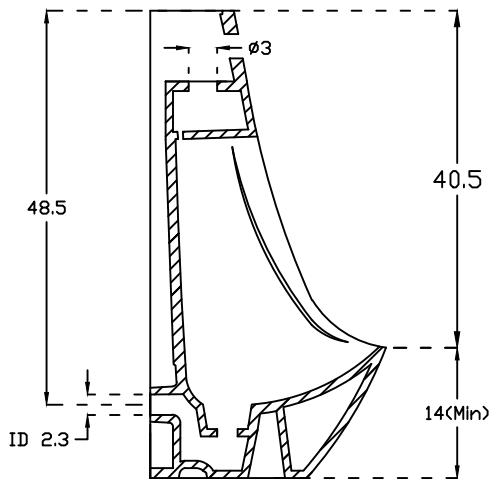



FRONT VIEW



SECTIONAL VIEW



SECTIONAL VIEW

		HSIL LIMITED, BAHADURGARH	
CATALOGUE NO:60021		(H X L X P) (57.5 X 32.5 X 29.5)	
ITEM DESCRIPTION: URINAL FLOW			
DRAWN:		UNIT:CM	
CHECKED:		SCALE:1:10	
APPROVED		DRAWING:ND:URN/21	
DATE:26.12.14		REV:ND:00	