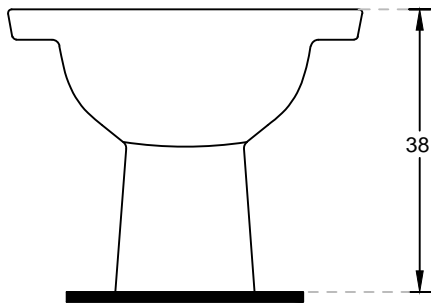
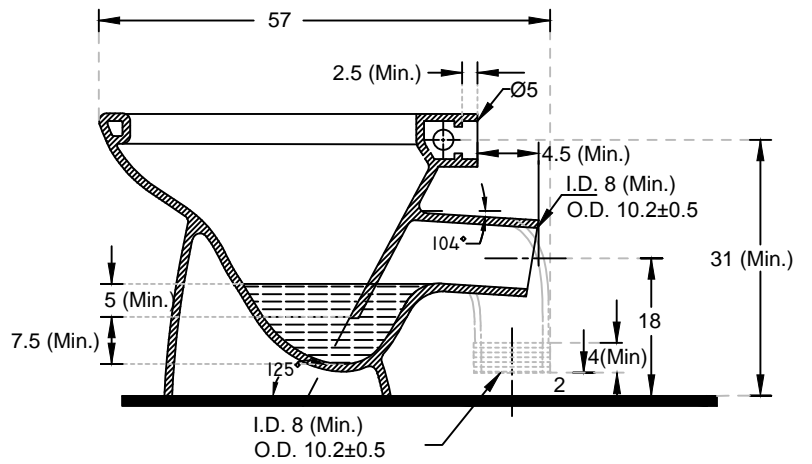


PLAN VIEW



FRONT ELEVATION



SECTIONAL VIEW

hindware

**HSIL LIMITED,
BAHADURGARH**

CATALOGUE No.: 20012
ITEM DESCRIPTION: EWC UNIVERSAL 'P' & 'S' (57x46x38)

DRAWN: UNIT: CM

CHECKED: SCALE: 1:10

APPROVED: DRG. No.: WC/022
REV. No.: 2

DATE: 05.03.2008