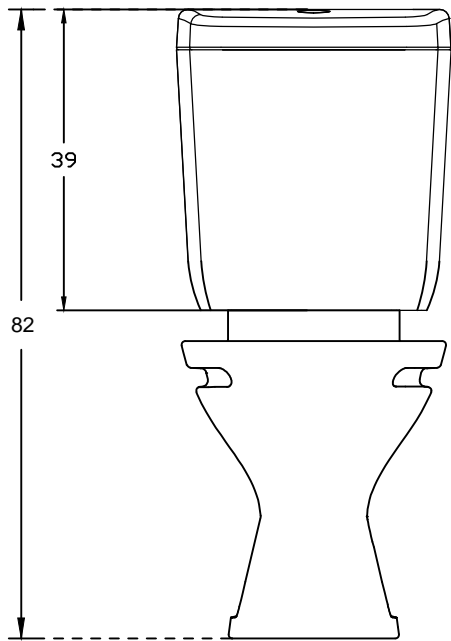
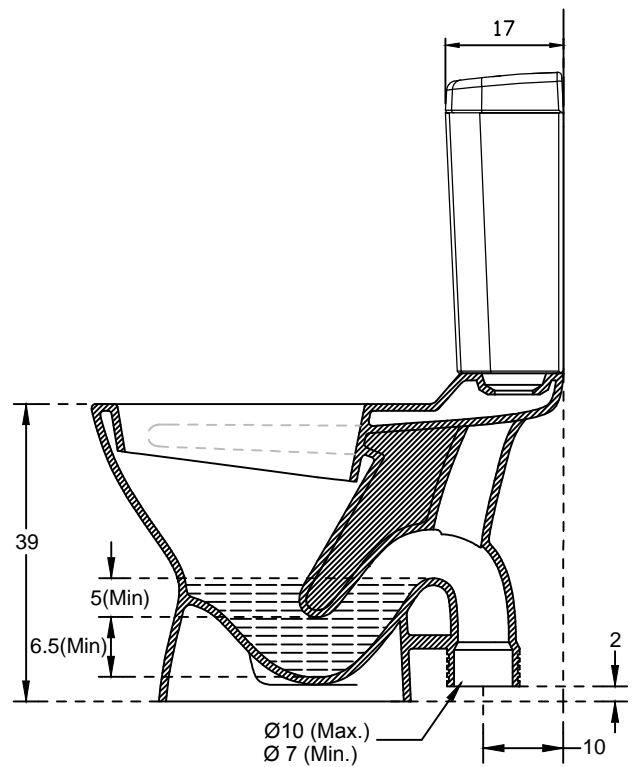


PLAN VIEW



FRONT ELEVATION



SECTIONAL VIEW

hindware

HSIL LIMITED,
BAHADURGARH

CATALOGUE No.:	20065 / 21054
ITEM DESCRIPTION:	EWC ALPHA 'S' 100 WITH CISTERN (64 X 36 X 82 cm)
DRAWN:	UNIT: CM
CHECKED:	SCALE: 1:10
APPROVED:	DRG. No.: WC/184 Rev. No.
DATE: 16.06.15	