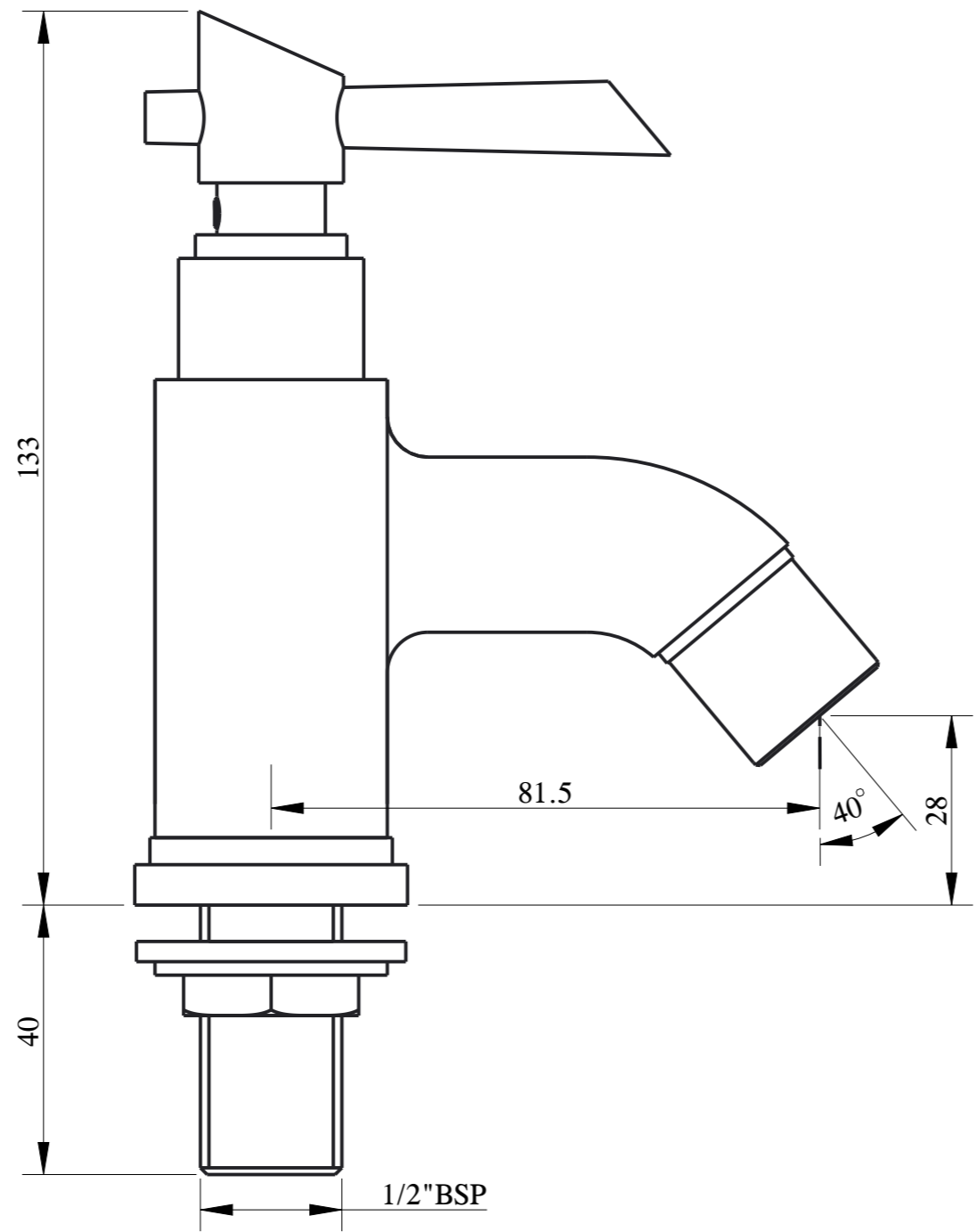


THIS DRAWING IS SOLE PROPERTY OF HSIL LTD.  
COPYING, TRACING, DUPLICATING, MISUSE IS  
NOT ALLOWED.

○ MACHINING DRAWING  
 ○ CASTING DRAWING  
 ● ASSEMBLY DRAWING  
 ○ BOP DRAWING

○ CRITICAL DIMENSION  
 ALL DIMENSION ARE IN MM



SURFACE FINISH		
TRIANGULAR INDICATOR	N-GRADE	Ra-VALUE(μm)
	N11 - N12	25 ~ 50
	N09 - N10	6.3 ~ 12.5
	N07 - N08	1.6 ~ 3.2
	N04 - N06	0.2 ~ 0.8
	N01 - N03	0.025 ~ 0.1
UNSPECIFIED TOLERANCE		
0.0 ~ 6.0 ±0.1	6.0 ~ 30.0 ±0.2	
30.0 ~ 100.0 ±0.3	100.0 ~ 300.0 ±0.5	

SCALE :	NTS	2016	NAME	DATE
MATERIAL :		DRN. BY		
TREATMENT:		CKD BY		
WEIGHT:		APPD BY		
		DESCRIPTION:		

**HSIL**

PLOT NO. SP1-254  
KAHARANI INDUSTRIAL AREA  
BHIWADI, RAJASTHAN

DRG. NO. :  
RANGE:

REV. NO.

SR. NO.	ECN NO.	DESCRIPTION	REVISED BY	APPROVED BY	DATE

RELEASE DATE:-