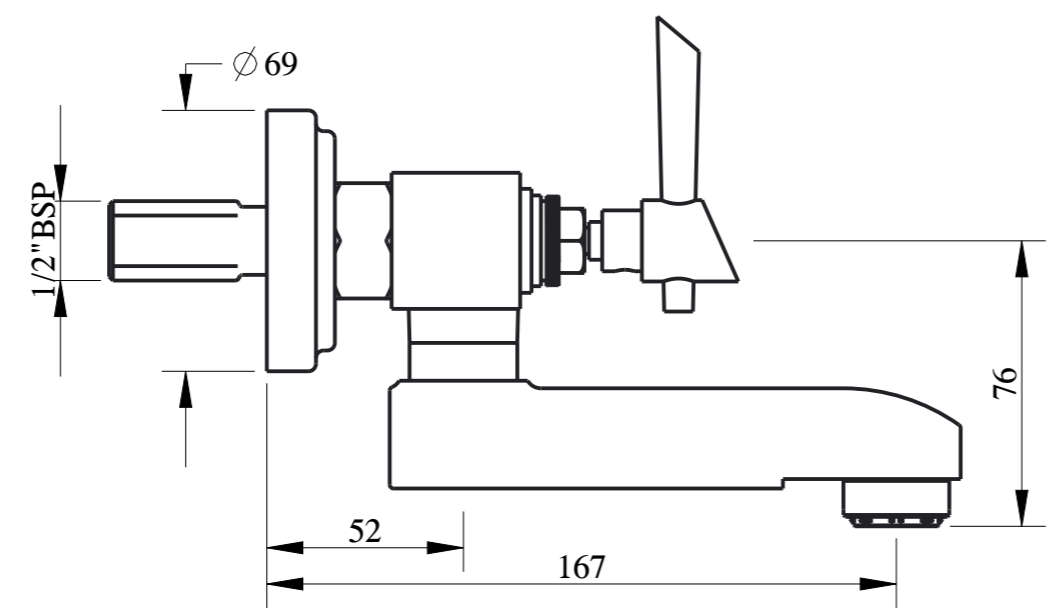
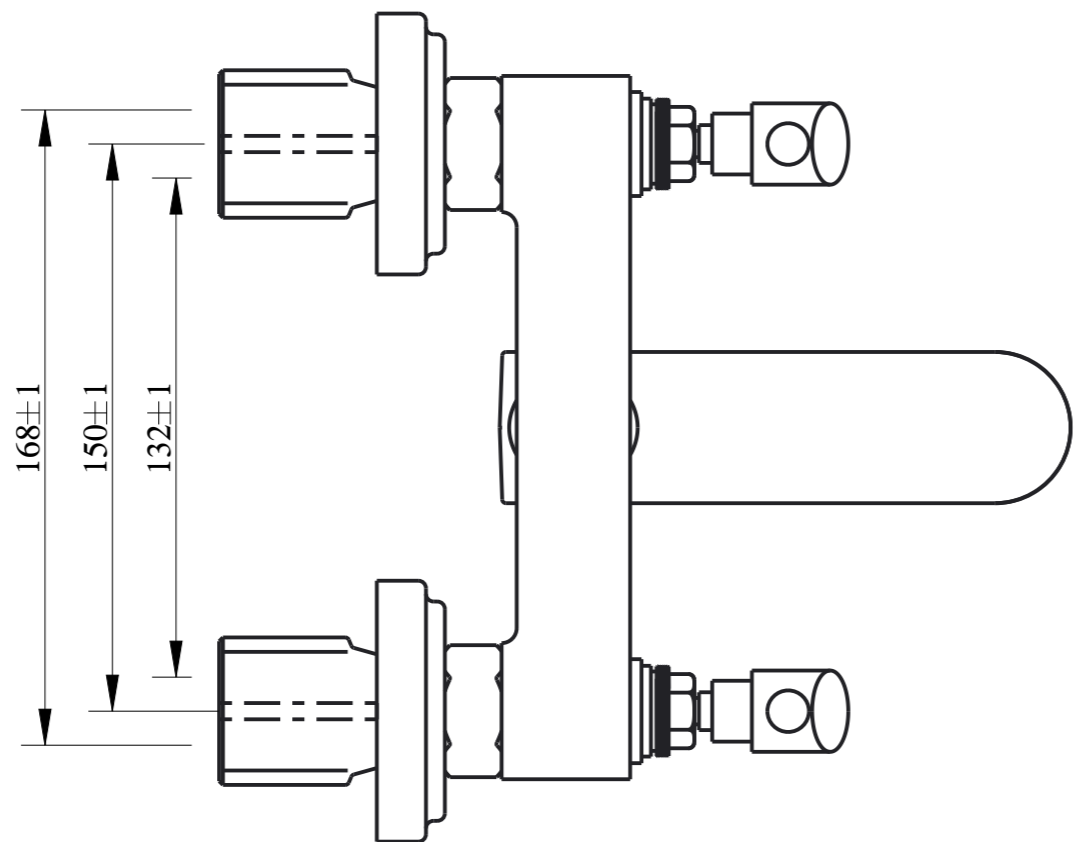


THIS DRAWING IS SOLE PROPERTY OF HSIL LTD.
COPYING, TRACING, DUPLICATING, MISUSE IS
NOT ALLOWED.



○ MACHINING DRAWING
○ CASTING DRAWING
○ ASSEMBLY DRAWING
○ BOP DRAWING

CRITICAL DIMENSION
ALL DIMENSION ARE IN MM

SURFACE FINISH		
TRIANGULAR INDICATOR	N-GRADE	Ra-VALUE(µm)
	N11 - N12	25 ~ 50
	N09 - N10	6.3 ~ 12.5
	N07 - N08	1.6 ~ 3.2
	N04 - N06	0.2 ~ 0.8
	N01 - N03	0.025 ~ 0.1
UNSPECIFIED TOLERANCE		
0.0 ~ 6.0 ±0.1	6.0 ~ 30.0 ±0.2	
30.0 ~ 100.0 ±0.3	100.0 ~ 300.0 ±0.5	

SCALE :	NTS	2016	NAME	DATE
MATERIAL :		DRN. BY	YOGESH	29/01/2016
TREATMENT:		CKD BY		
WEIGHT:		APPD BY	PARDEEP	
		DESCRIPTION:	WALL MIXER NTS	

HSIL

PLOT NO. SP1-254
KAHARANI INDUSTRIAL AREA
BHIWADI, RAJASTHAN

DRG. NO. :
RANGE: IMMACULA

REV. NO.

SR. NO.	ECN NO.	DESCRIPTION	REVISED BY	APPROVED BY	DATE

RELEASE DATE:-