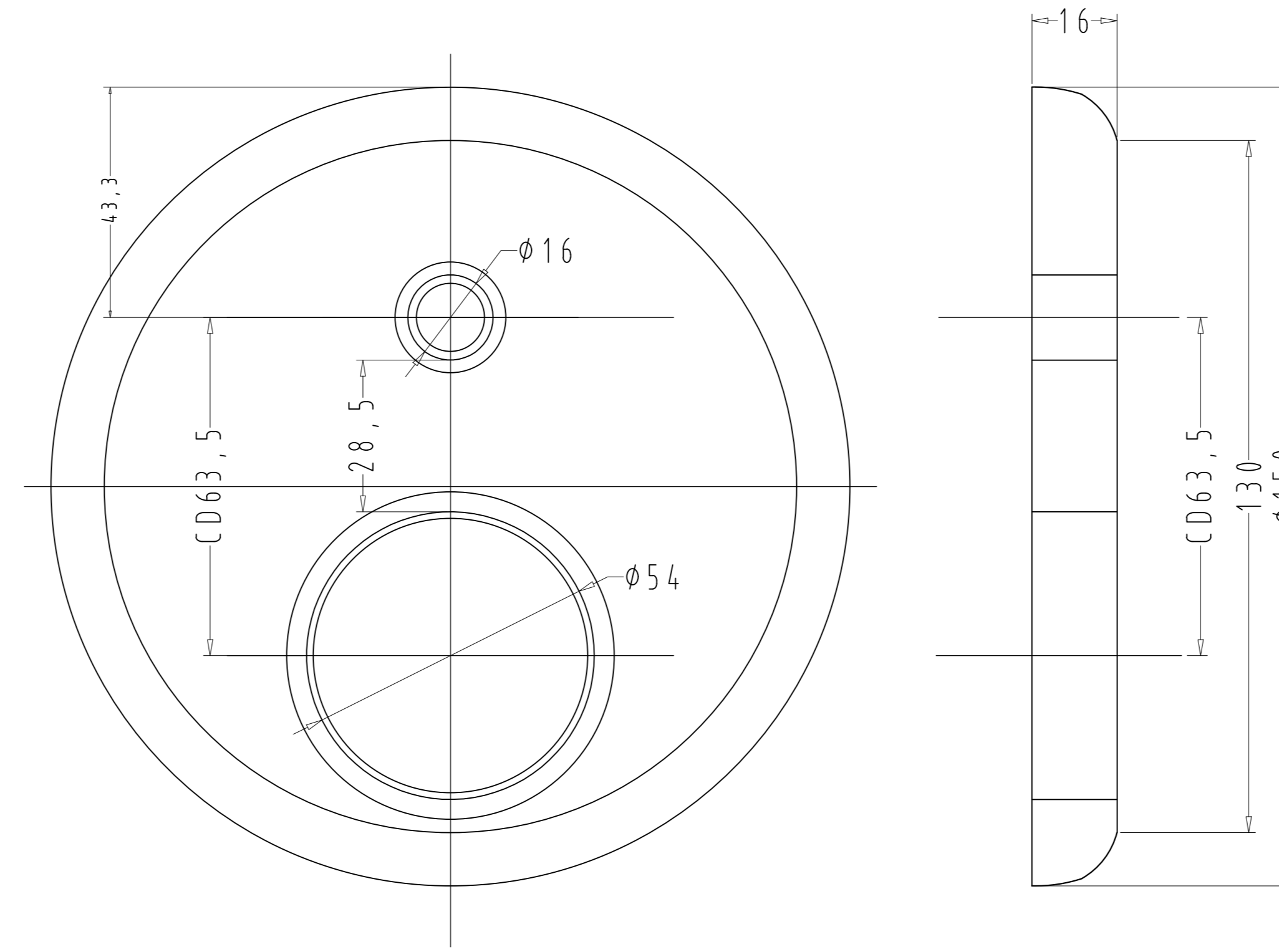
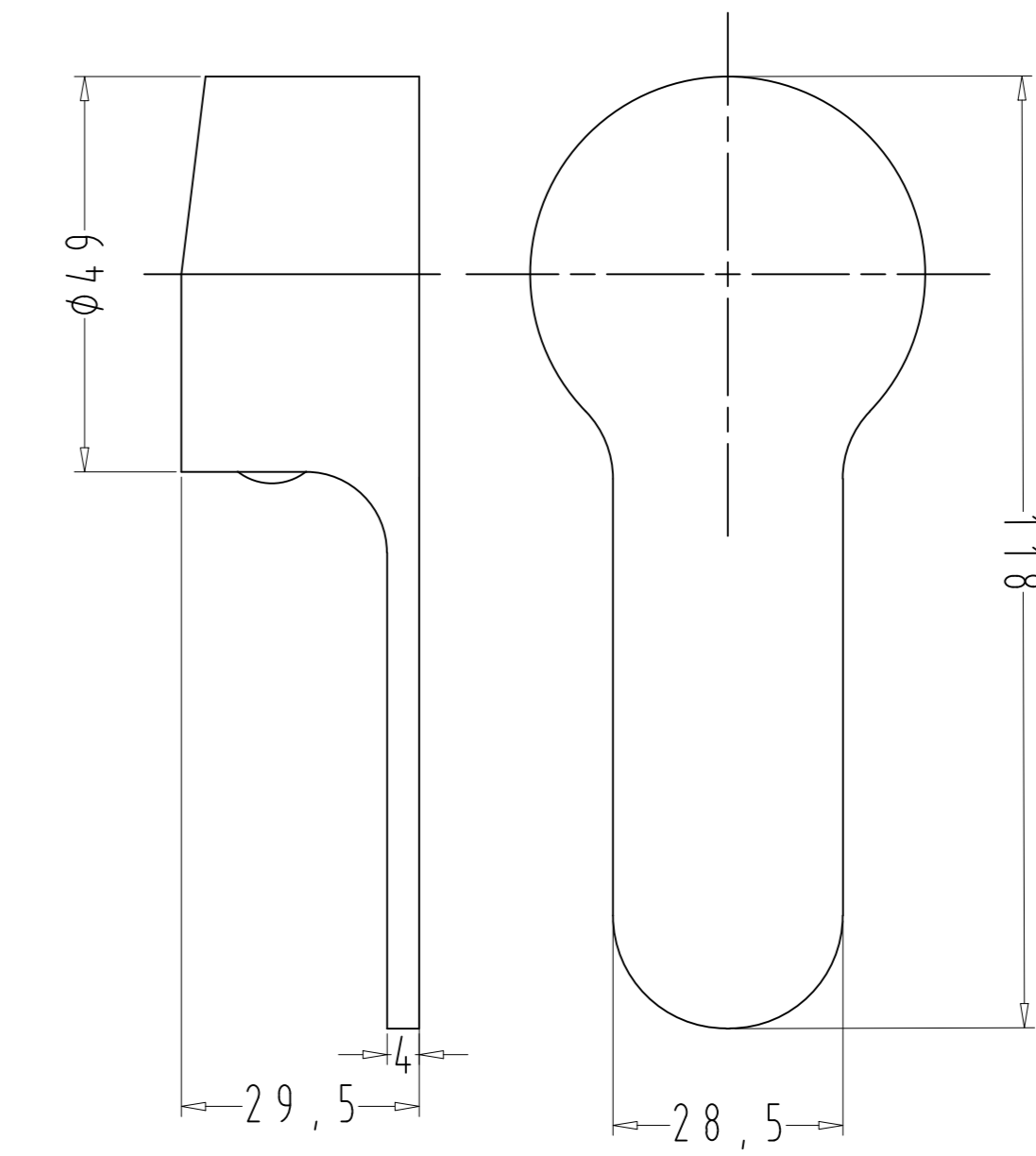


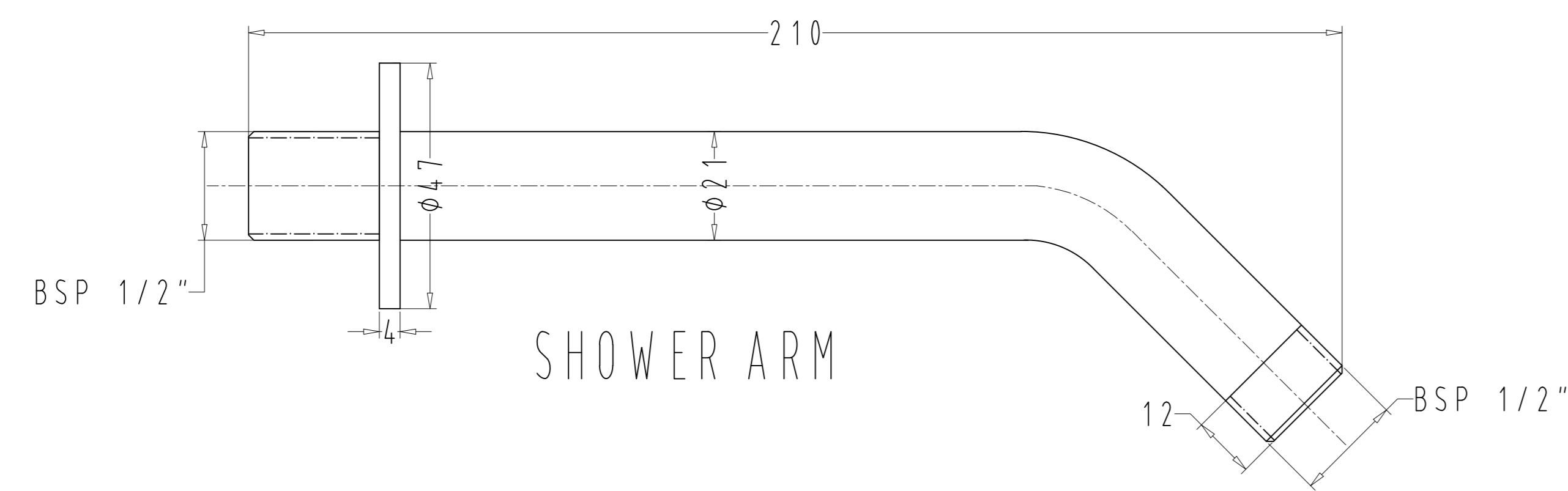
SINGLE LEVER CONCEALED DIVERTOR



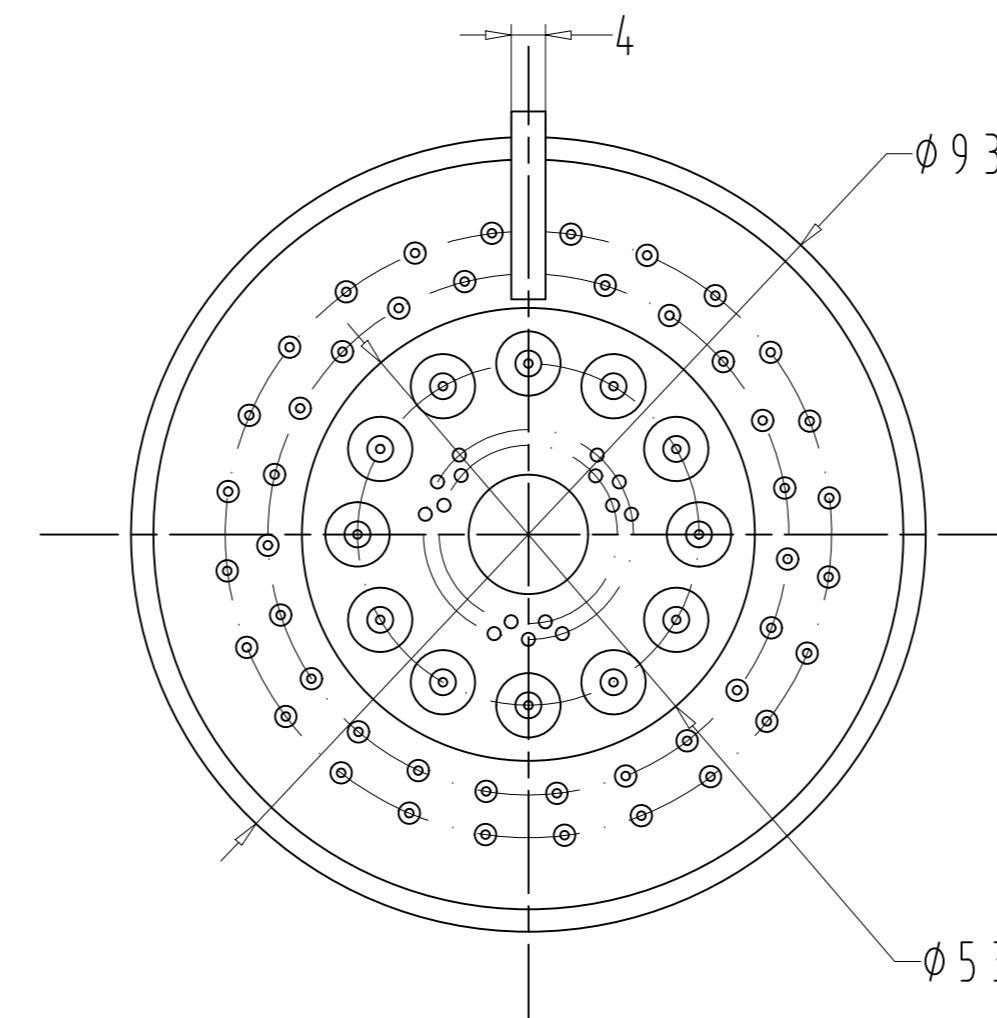
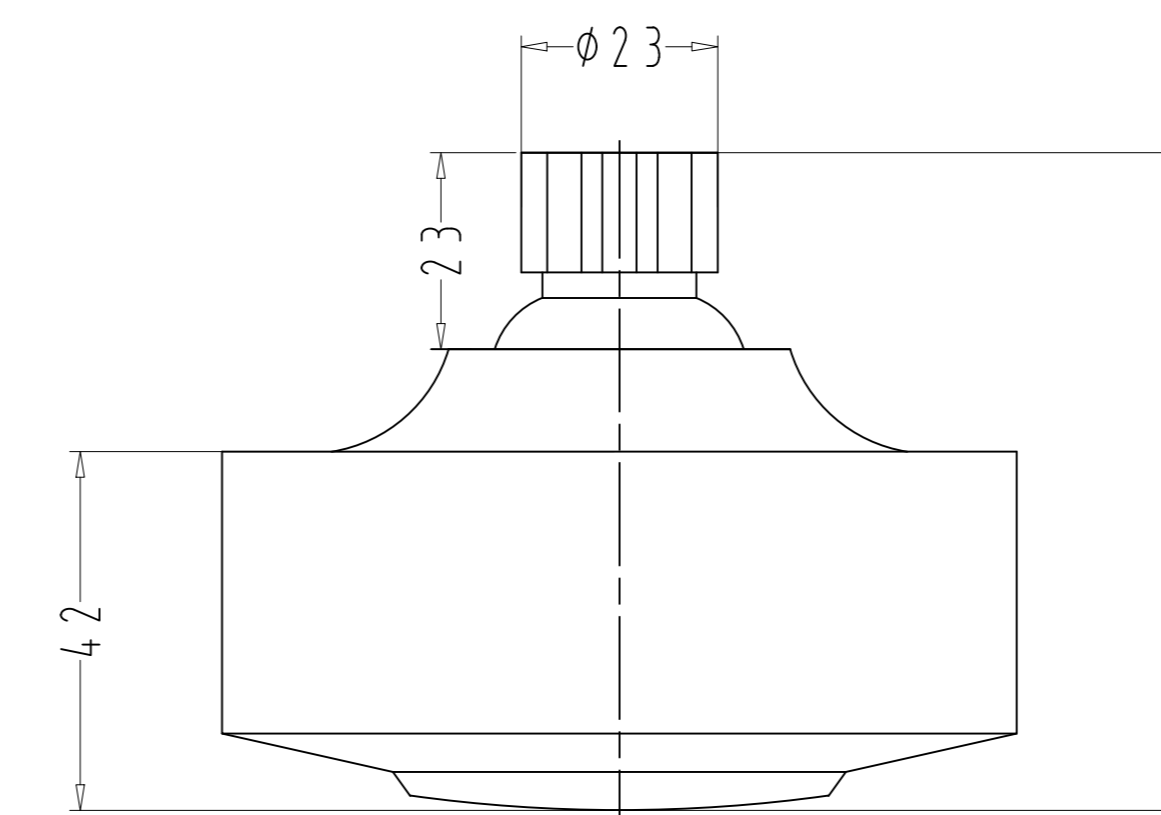
WALL FLANGE



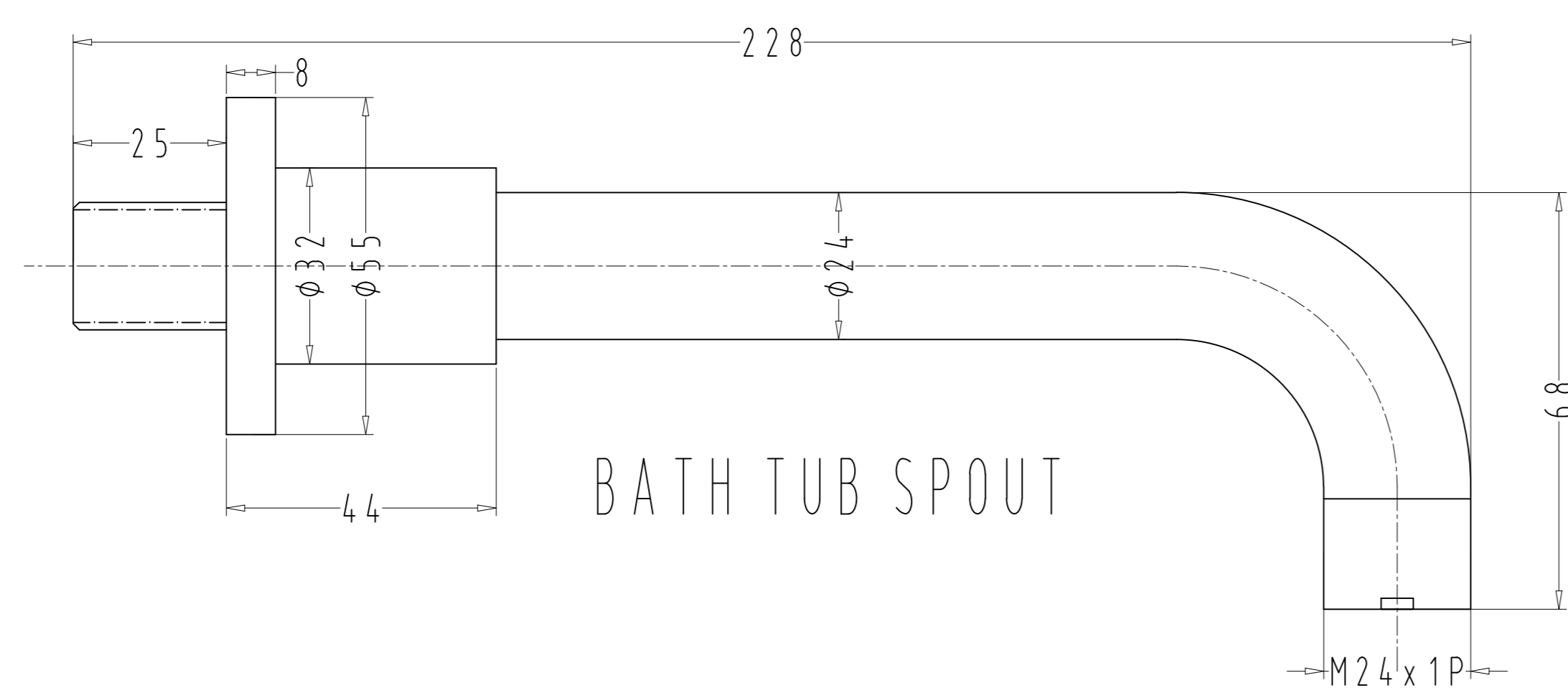
SL DIVERTOR HANDLE



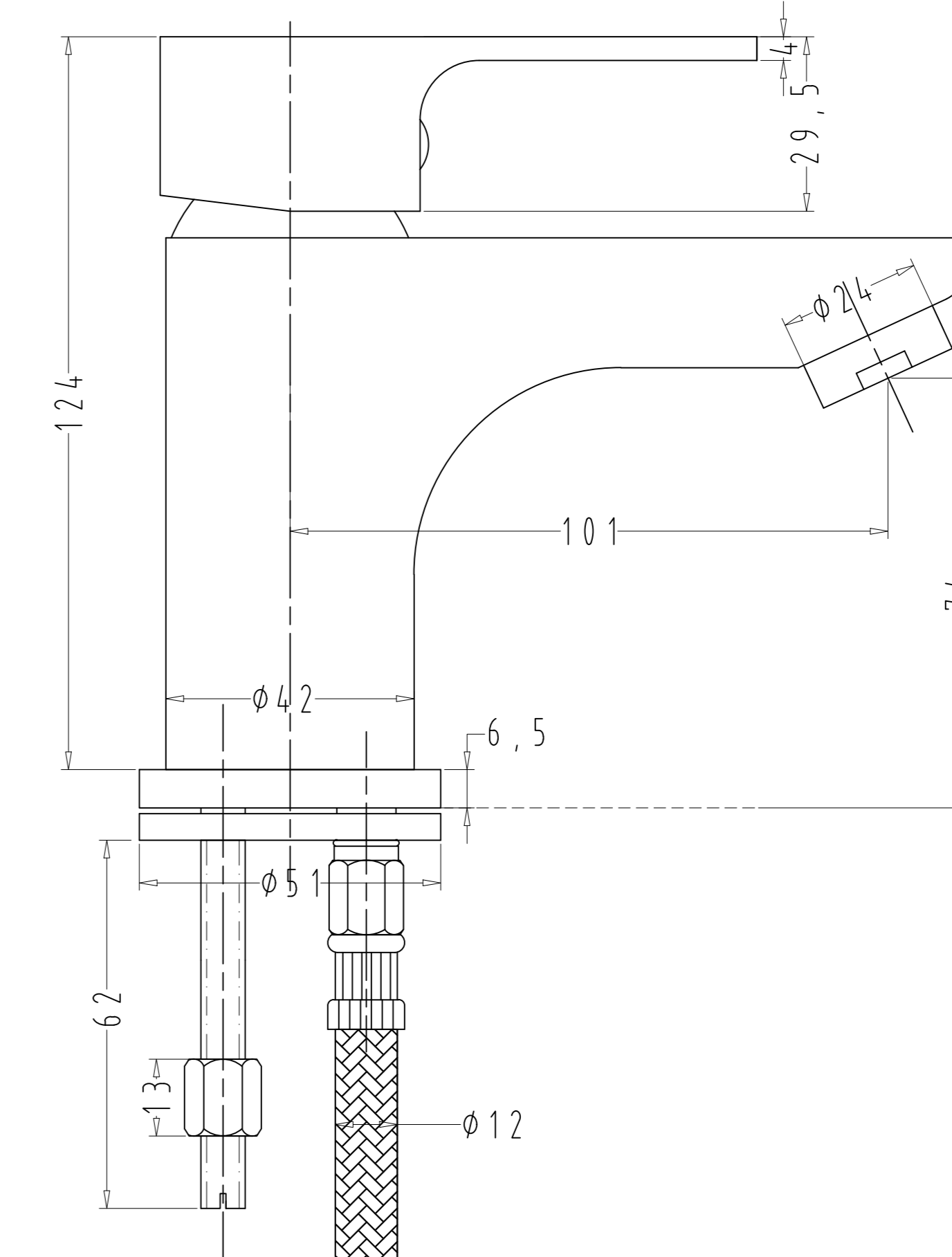
SHOWER ARM



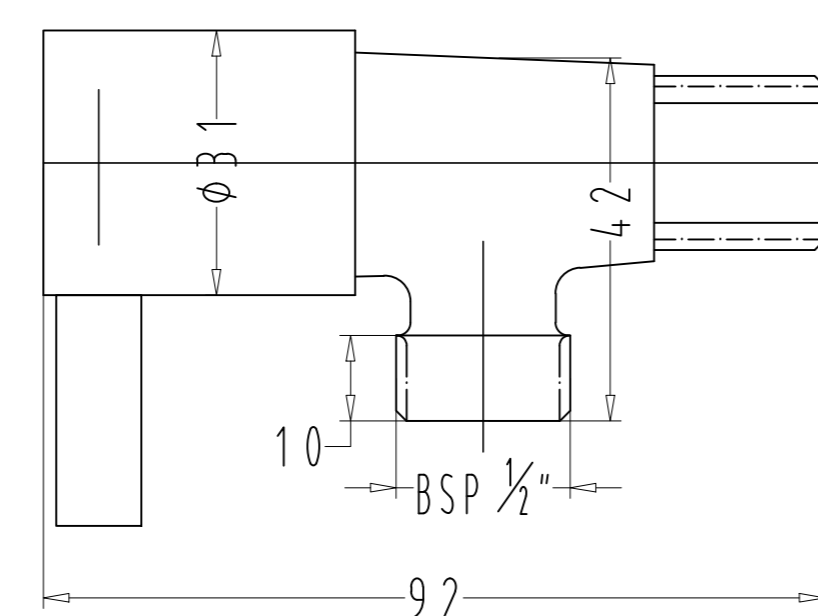
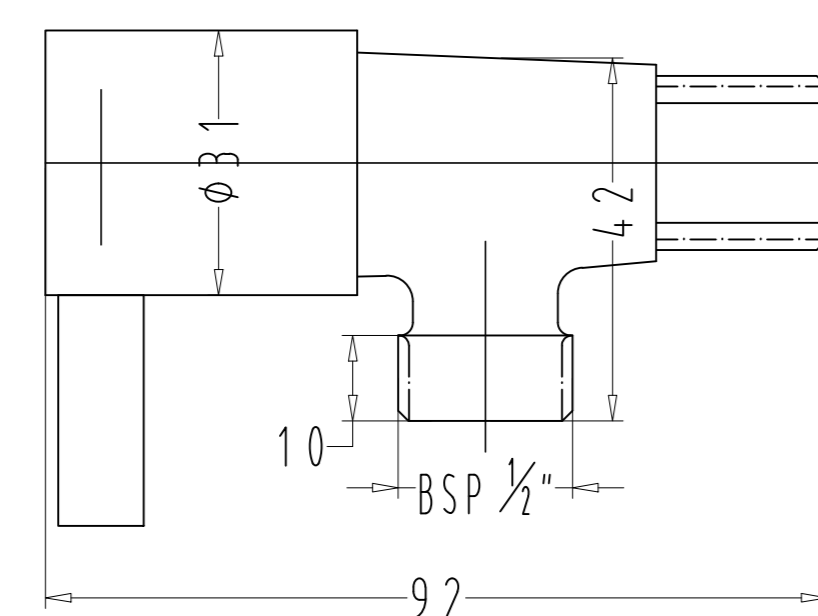
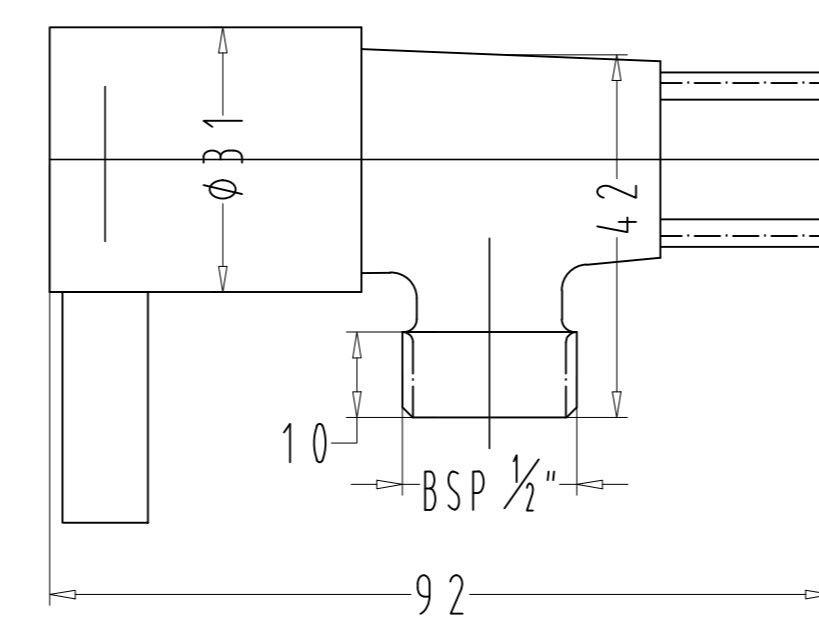
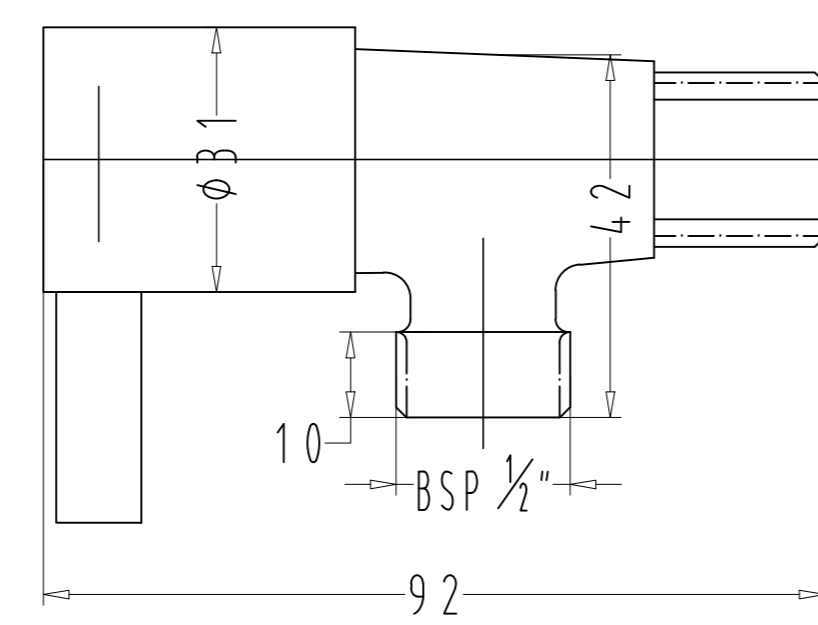
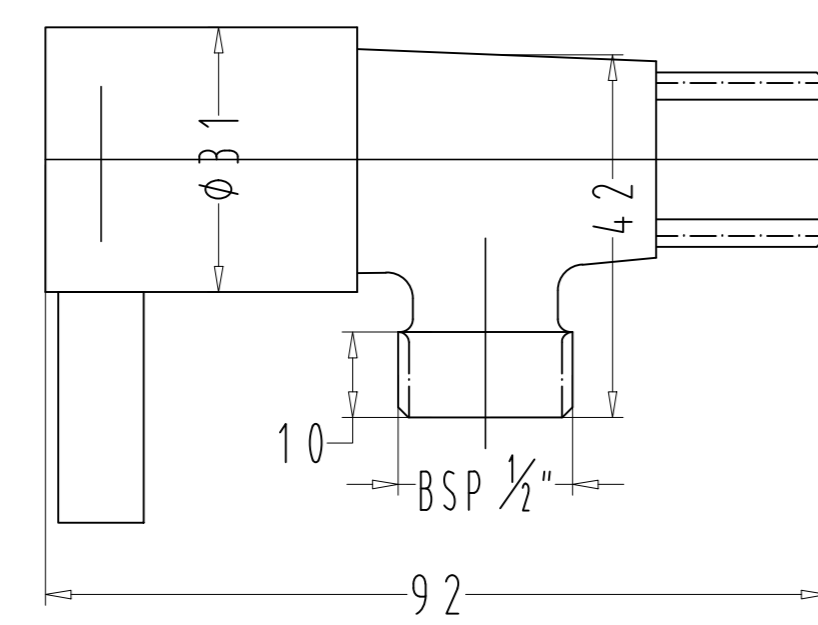
OVER HEAD SHOWER



BATH TUB SPOUT



SINGLE LEVER
BASIN MIXER



05 NOS ANGLE VALVE

SPLENDID DUO
CAT. No. F430001
SPLENDID DUO SINGLE LEVER