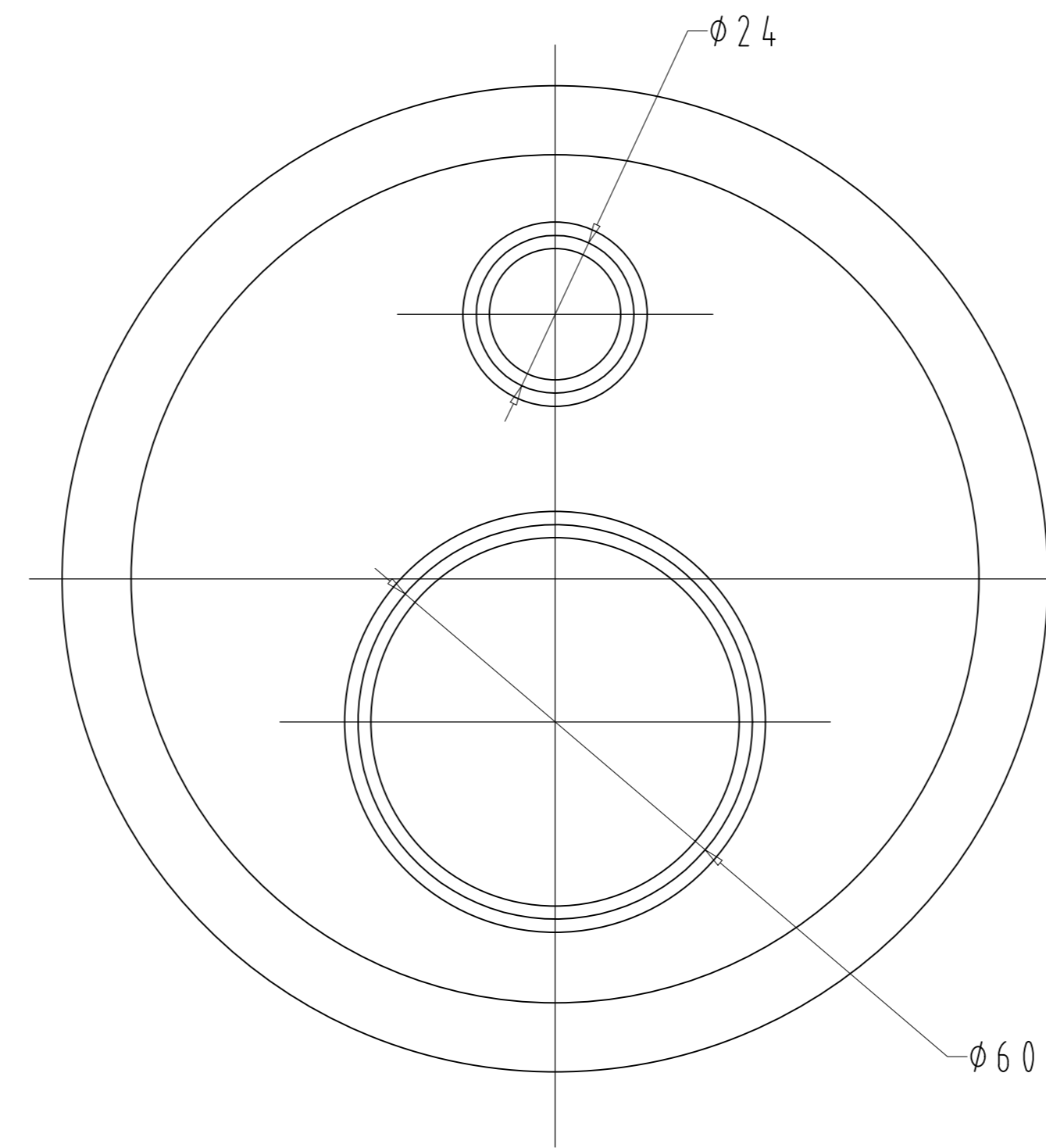
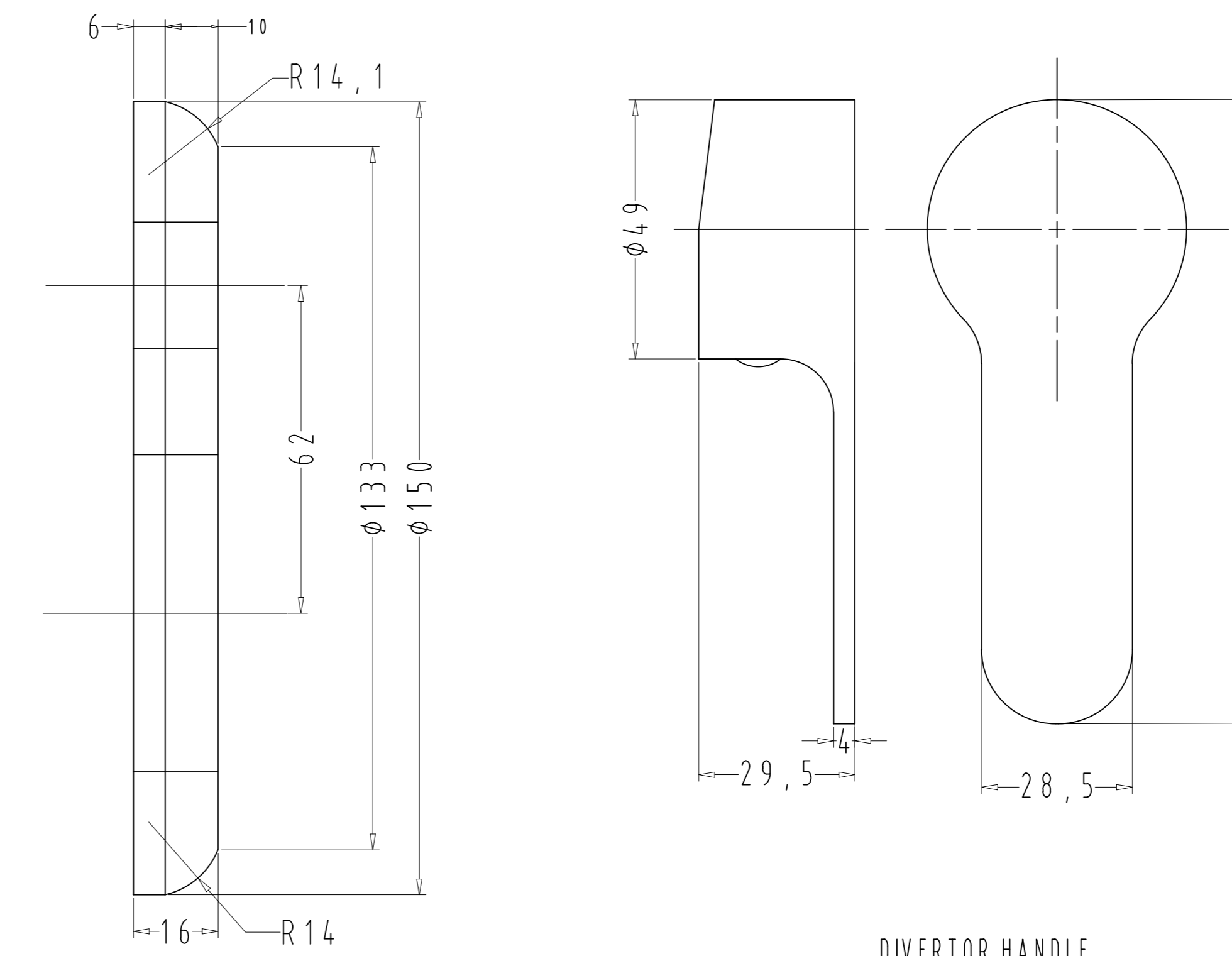


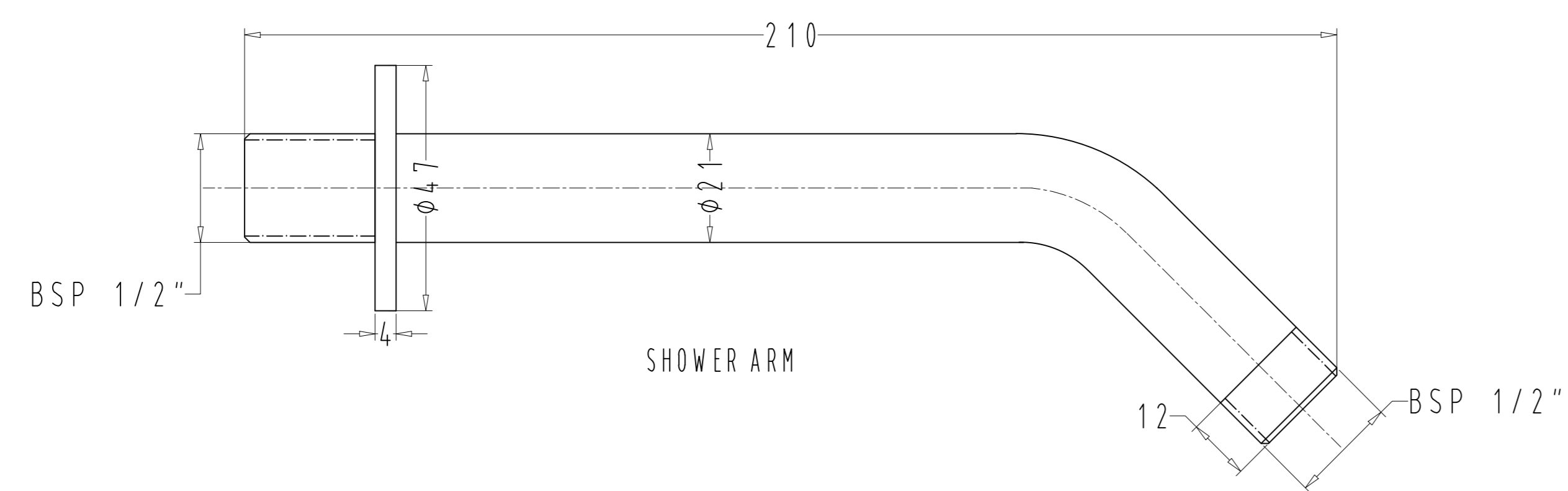
F850035- 3 INLET SINGLE LEVER CONCEALED MIXER FOR BATH & SHOWER SYSTEM



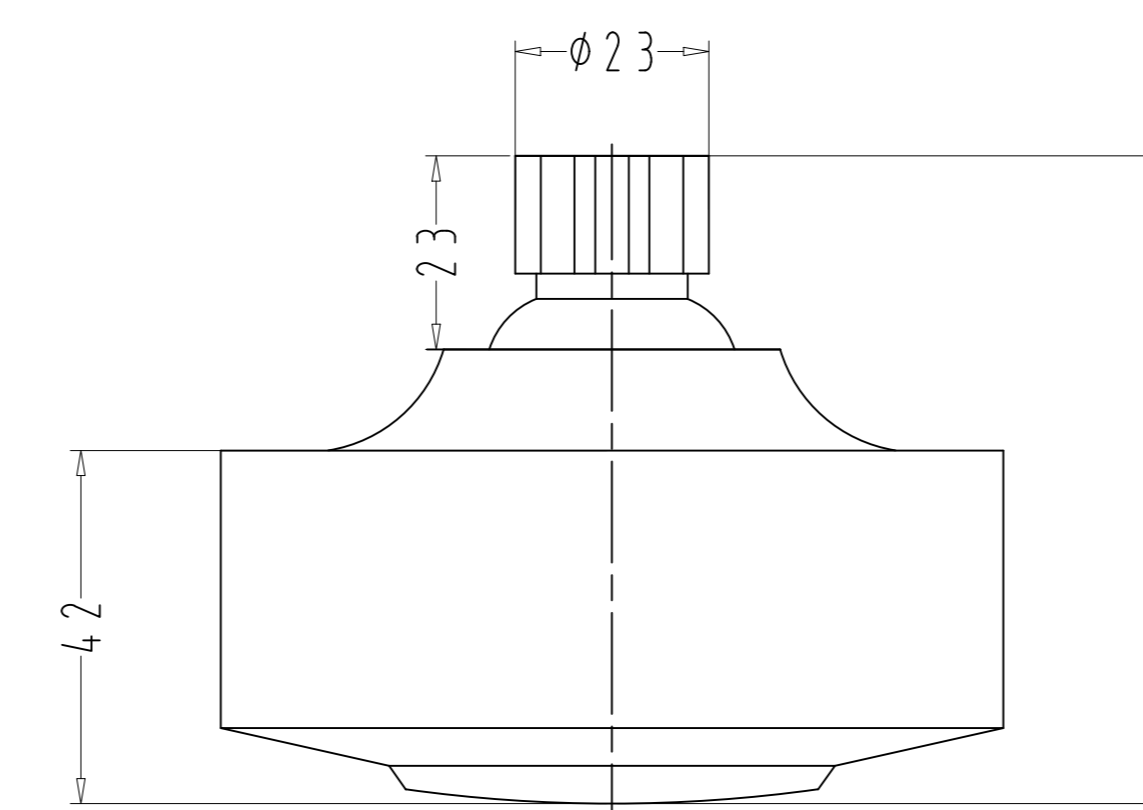
WALL FLANGE



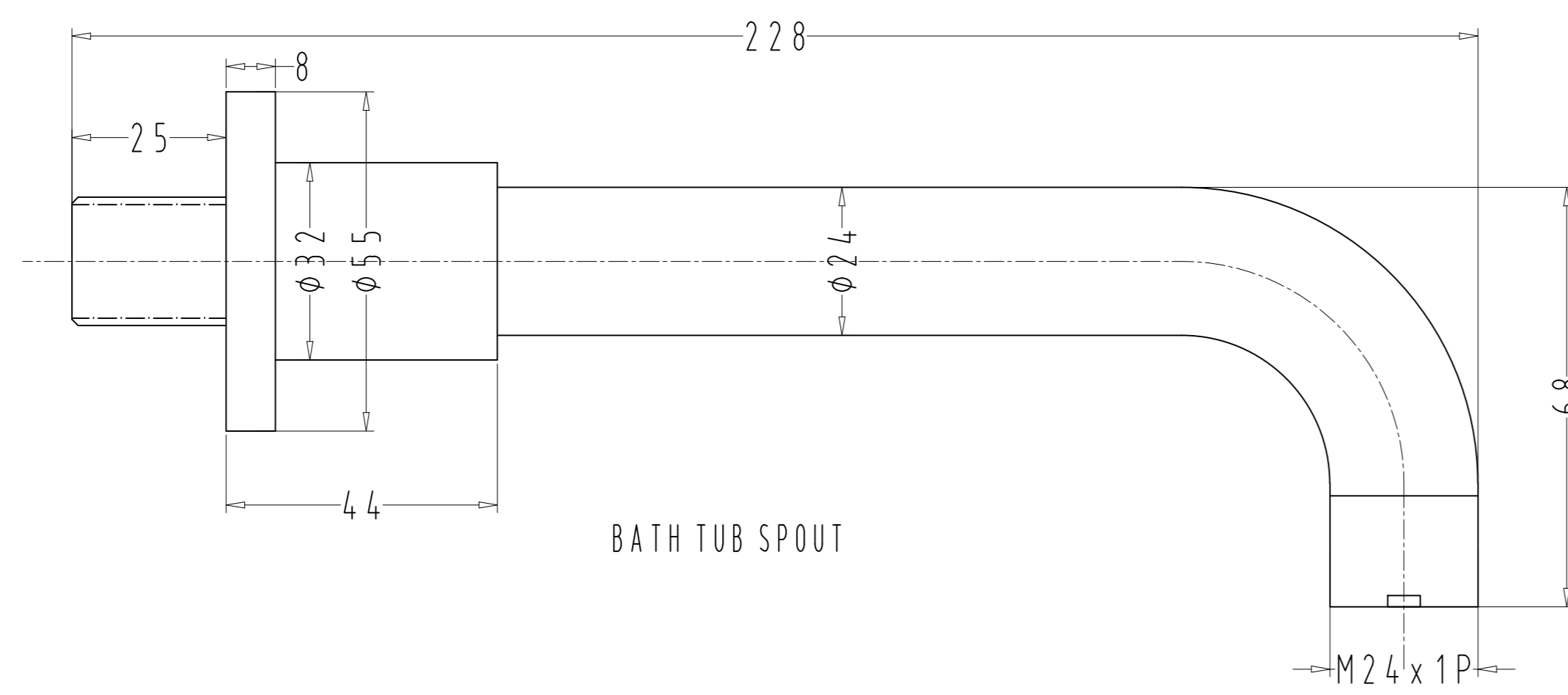
DIVERTOR HANDLE



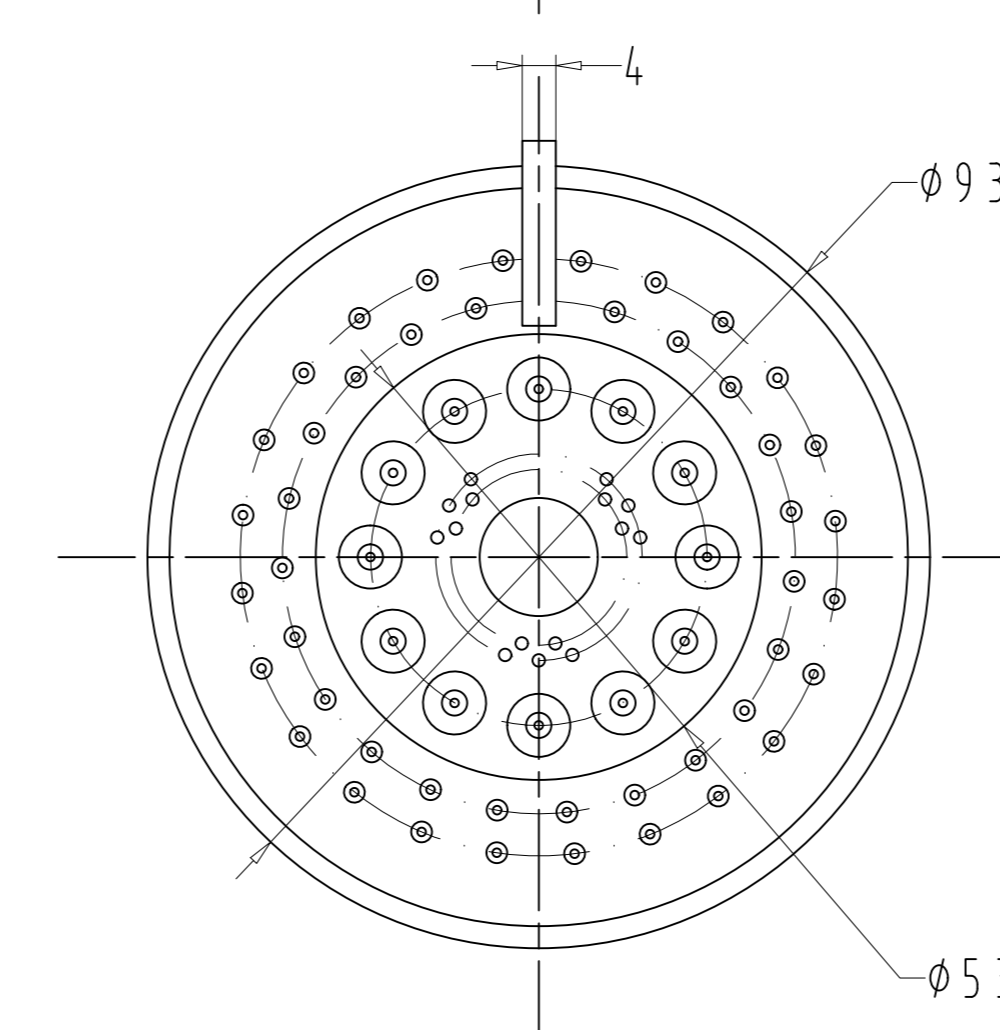
SHOWER ARM



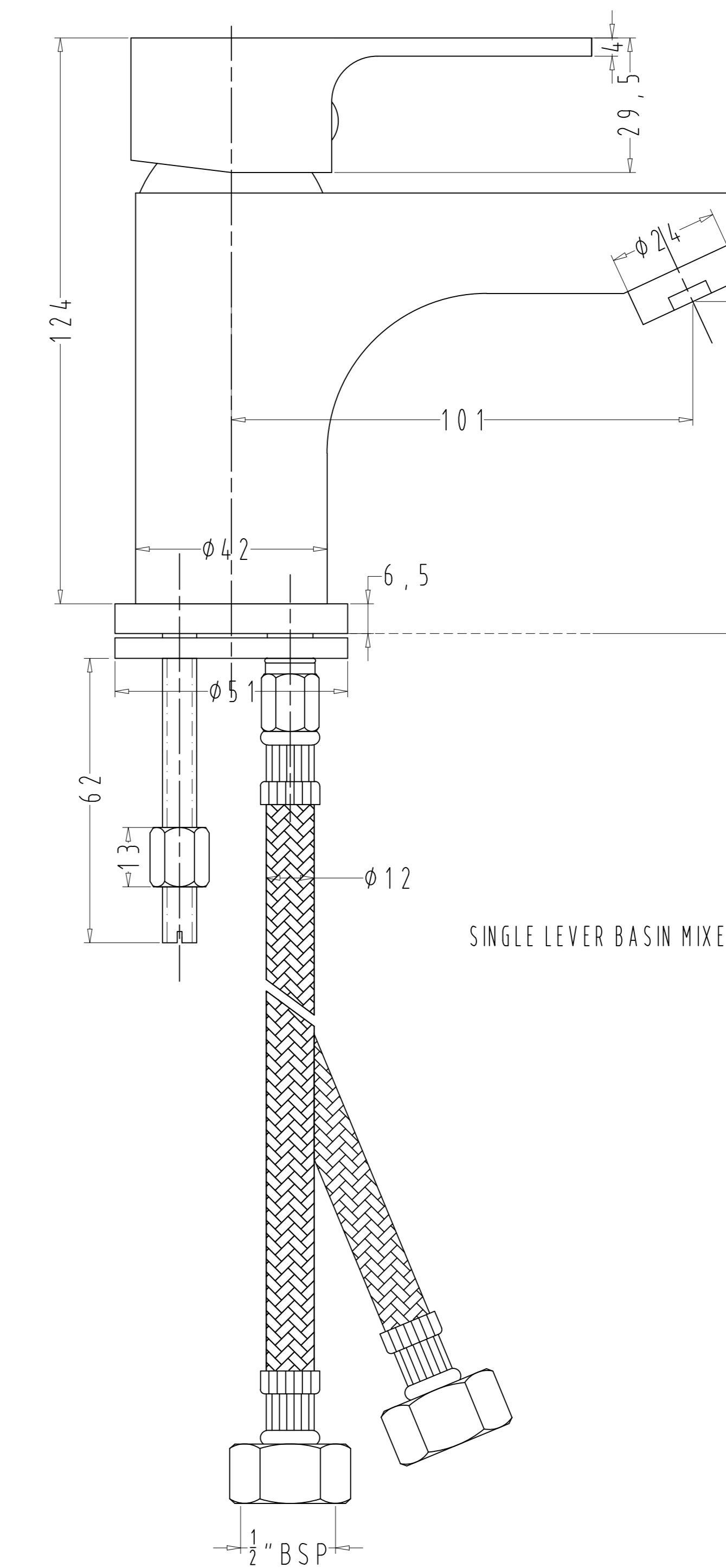
SHOWER HEAD



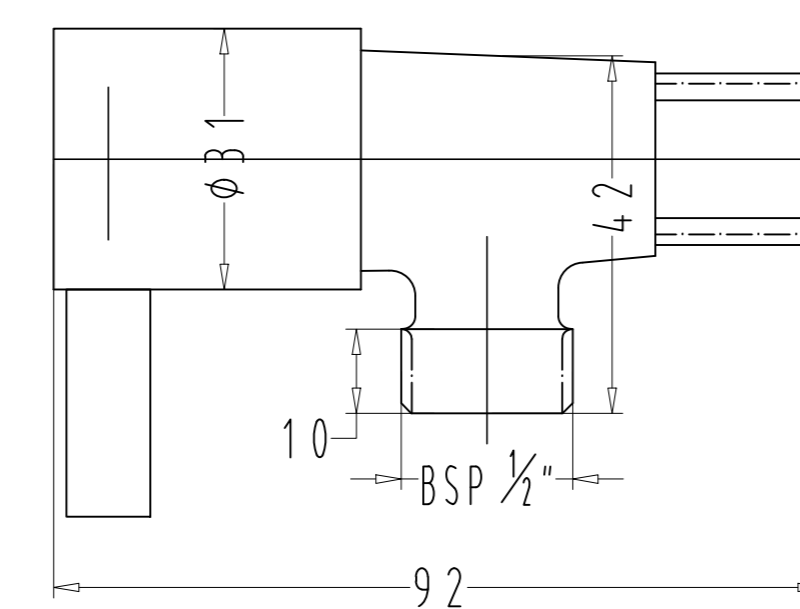
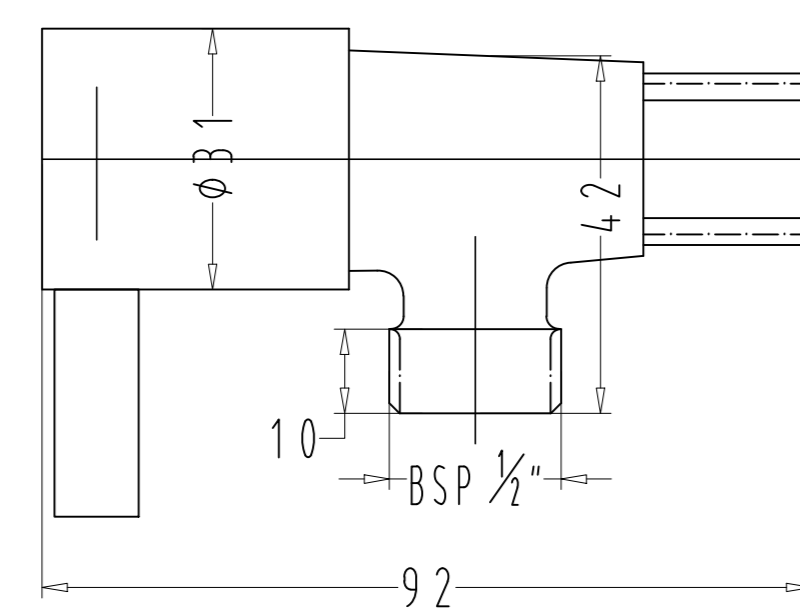
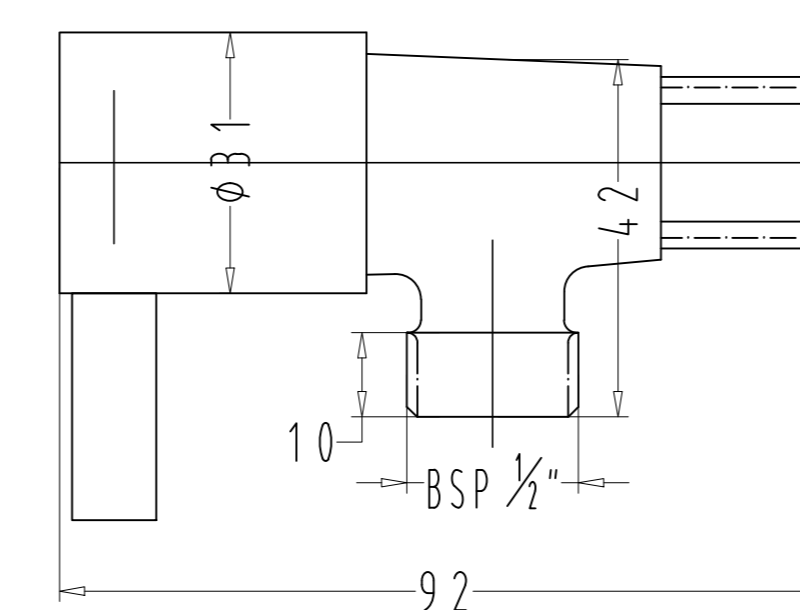
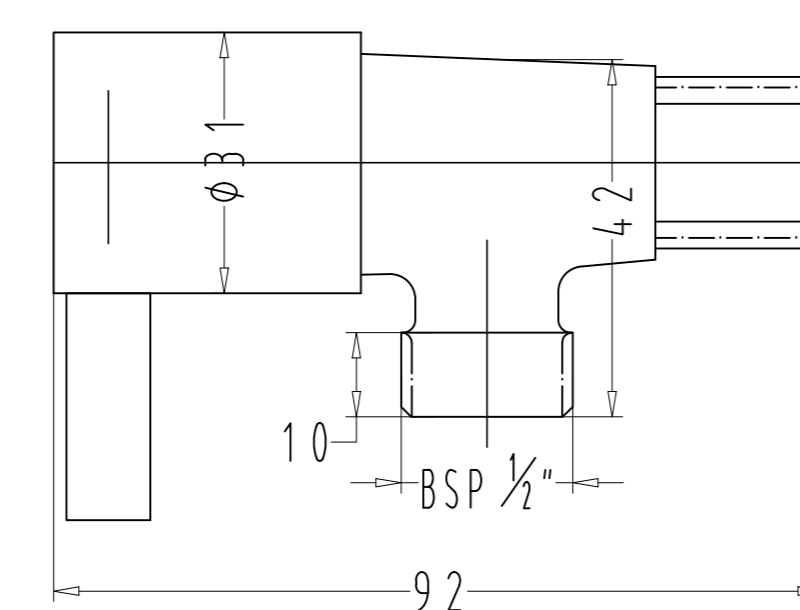
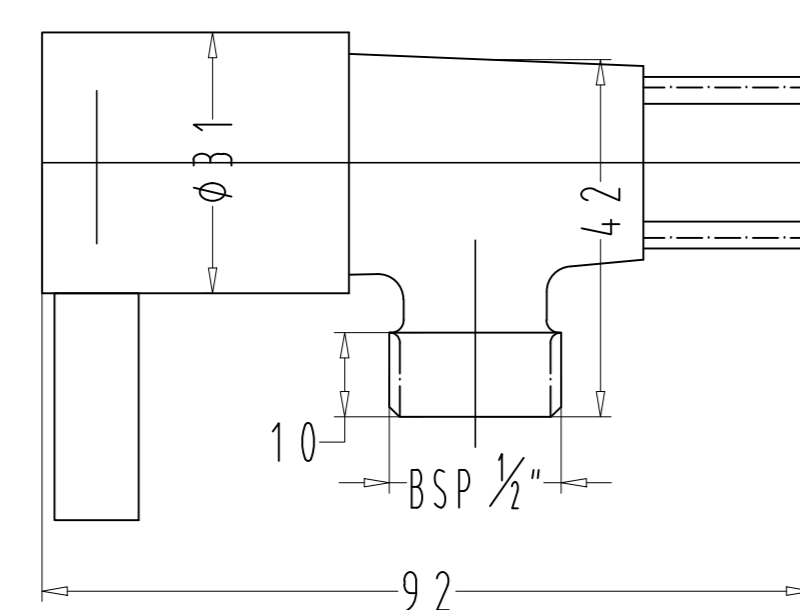
BATH TUB SPOUT



OVER HEAD SHOWER



SINGLE LEVER BASIN MIXER



05 NOS. ANGLE VALVE

SPLENDID DUO
 CAT. No. F430005
 COMBO SET WITH HIGH FLOW CONCEALED DIVERTOR & SINGLE LEVER