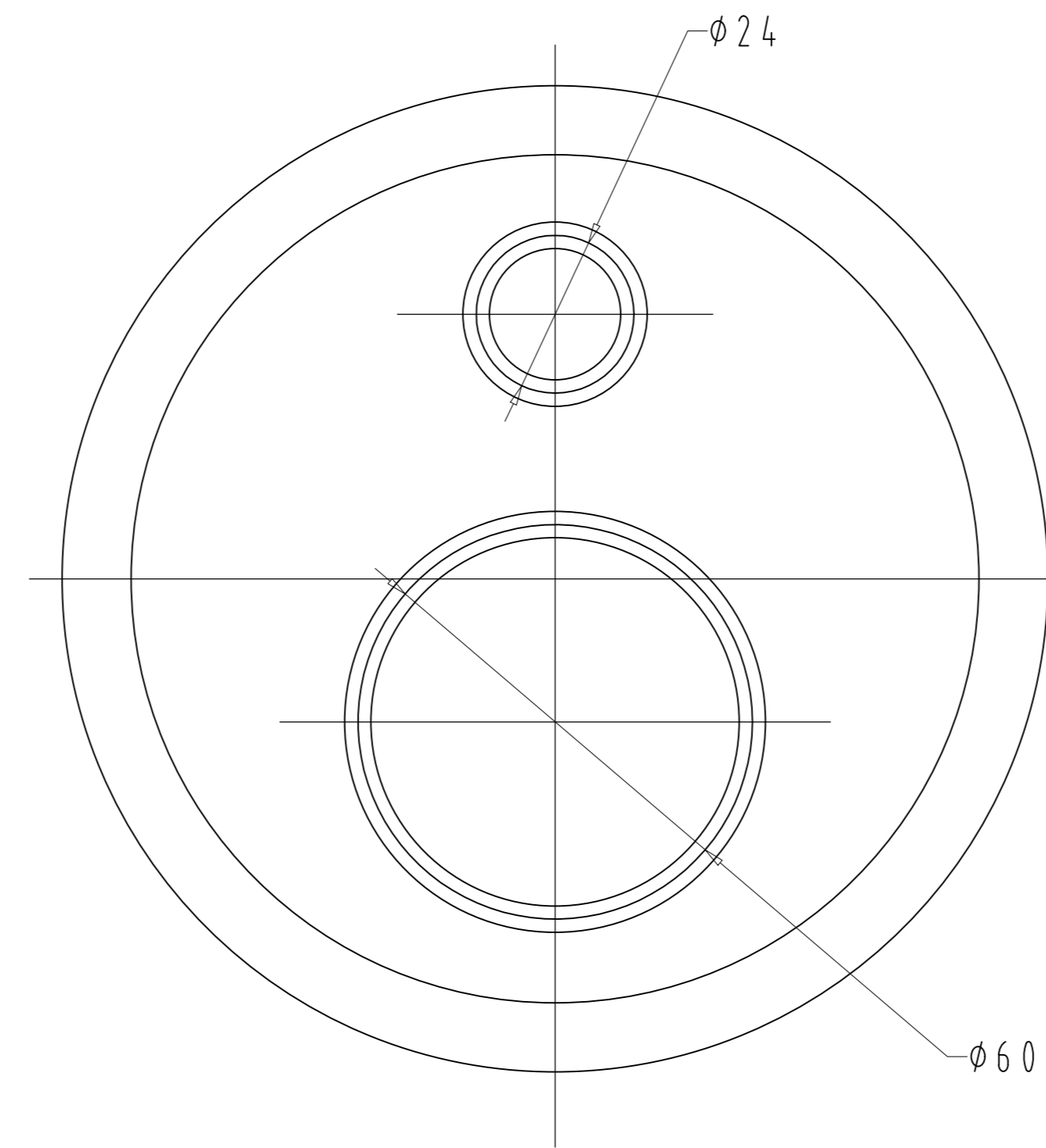
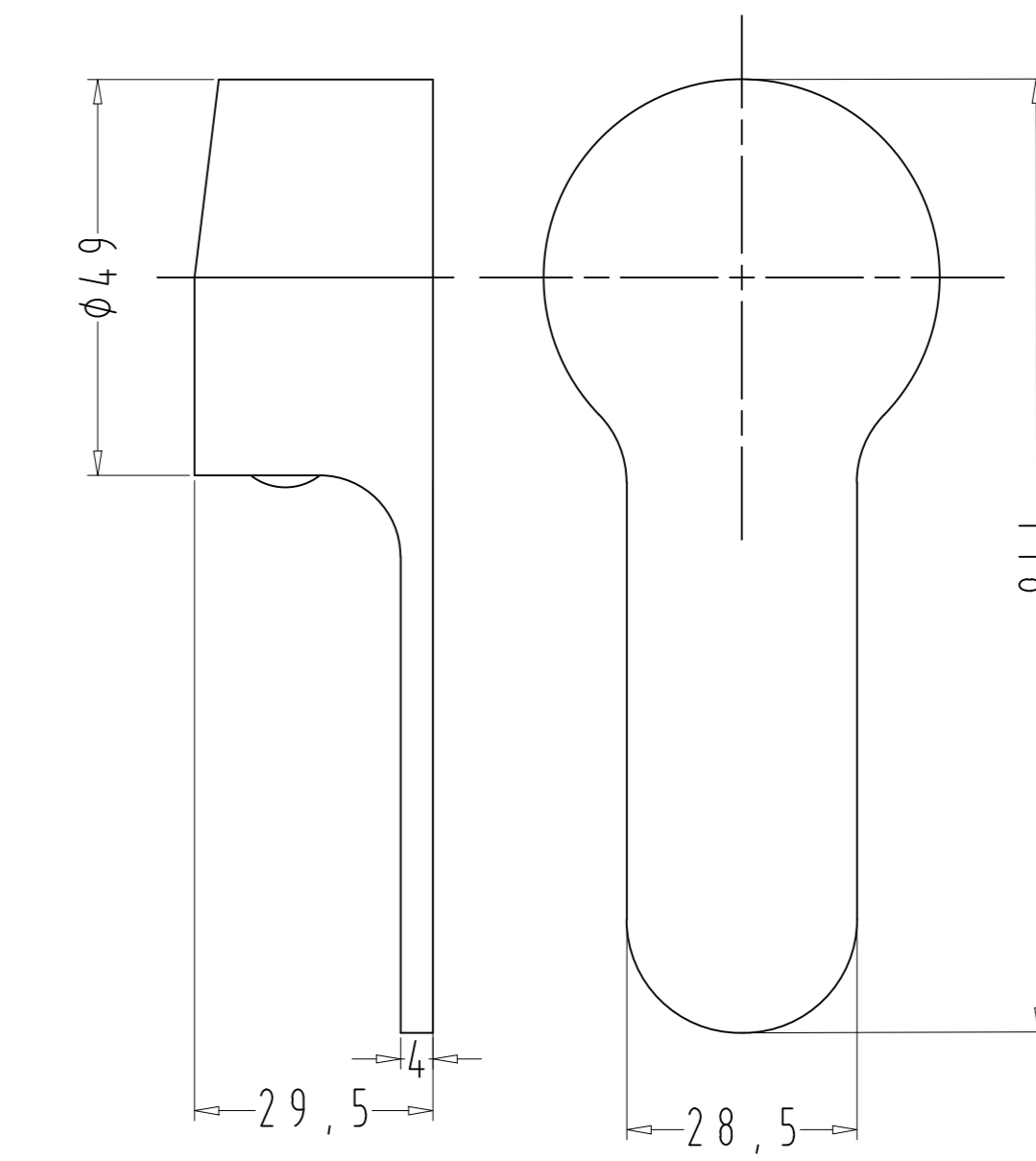
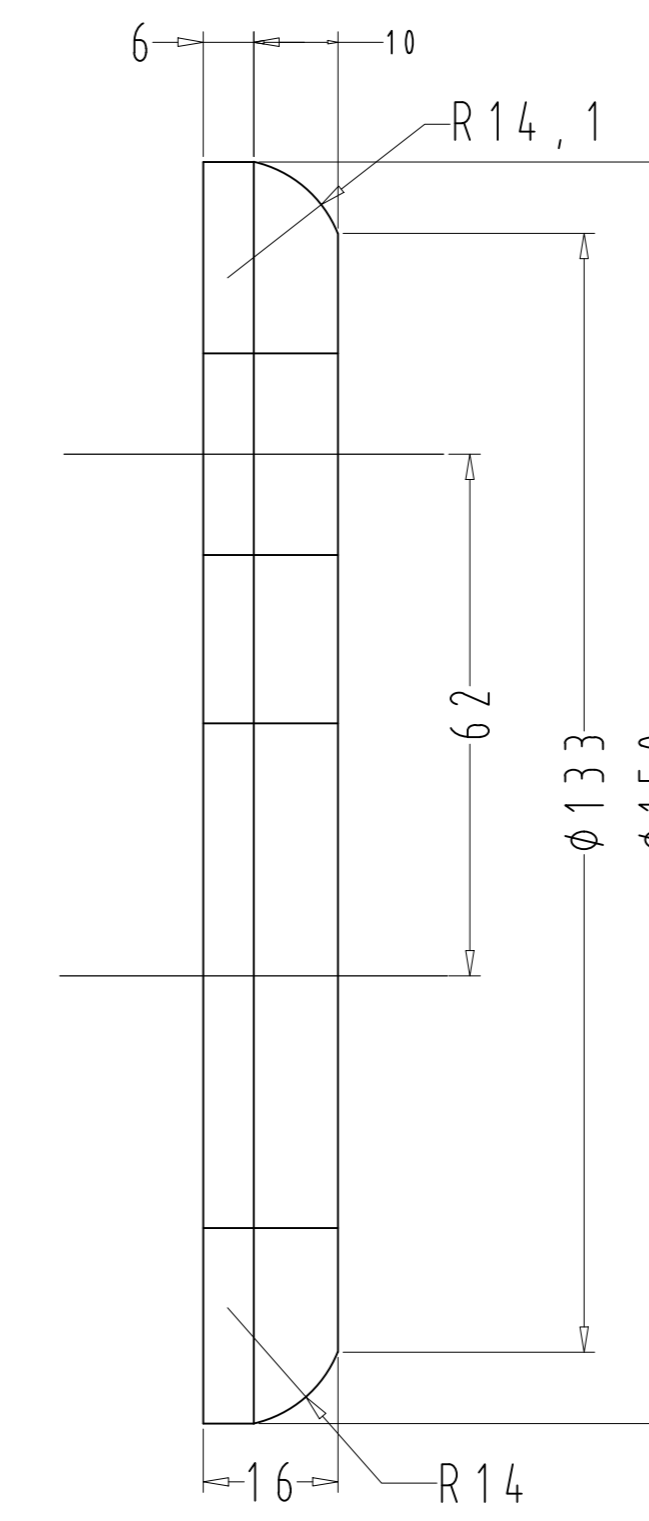


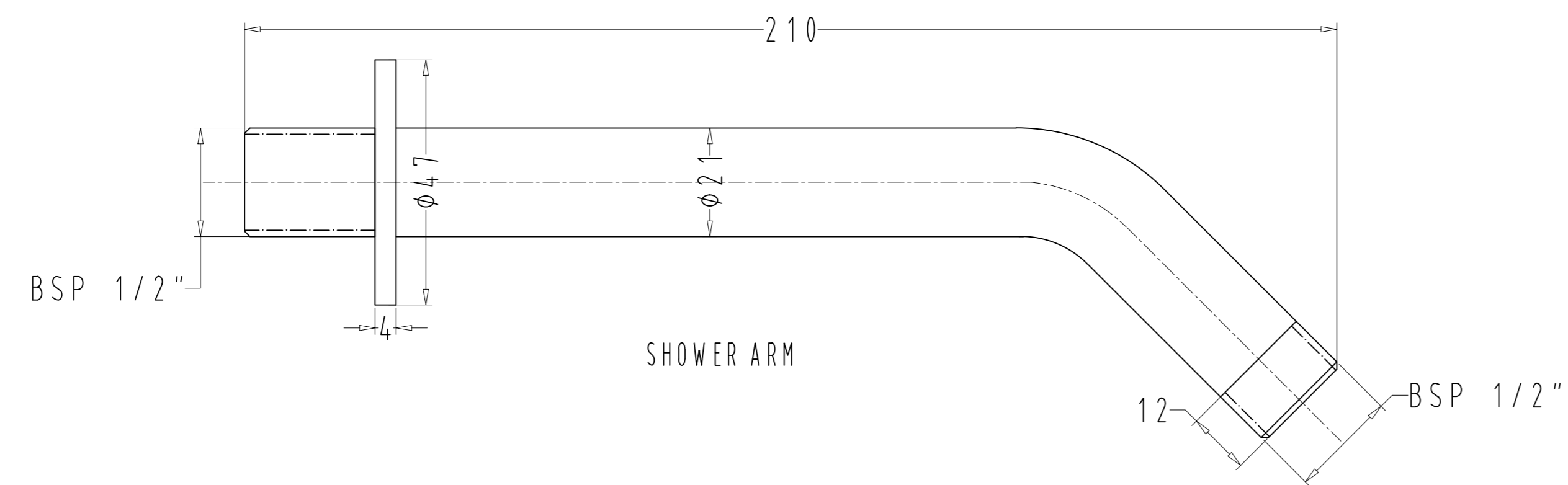
F850035- 3 INLET SINGLE LEVER CONCEALED MIXER FOR BATH & SHOWER SYSTEM



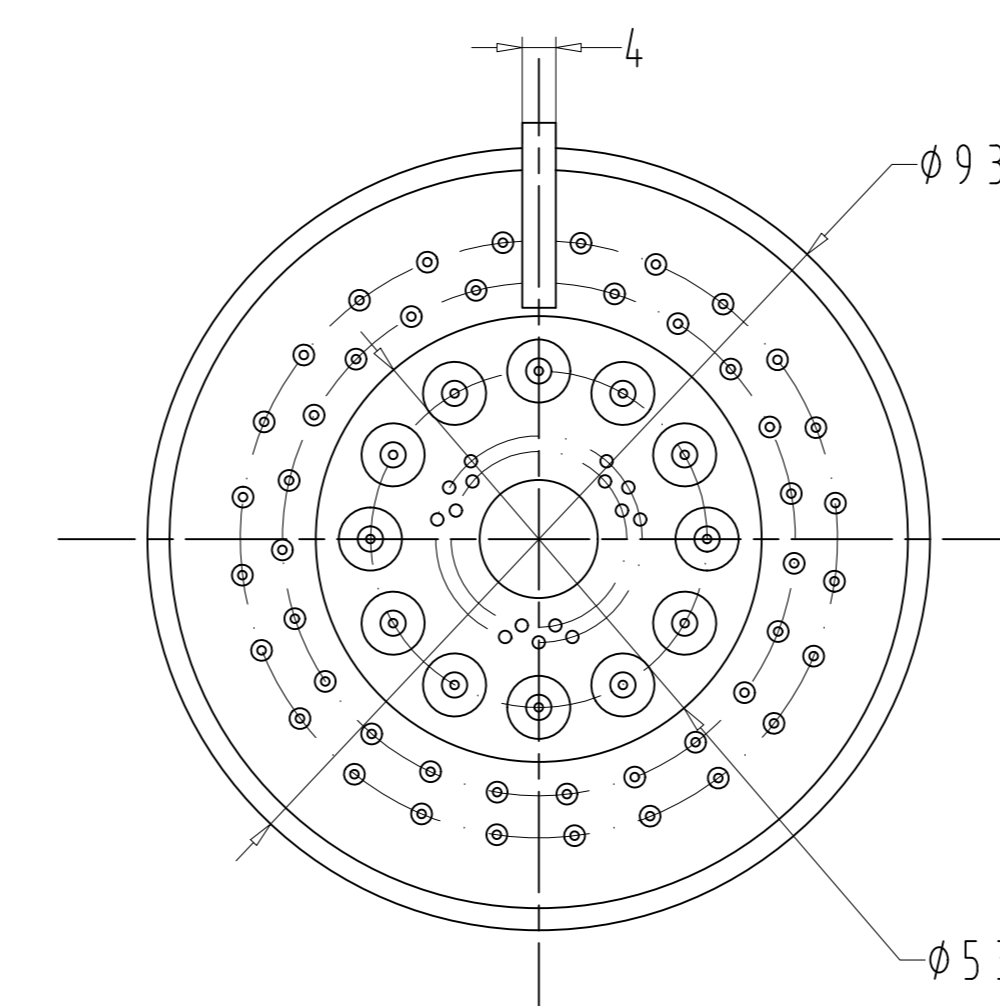
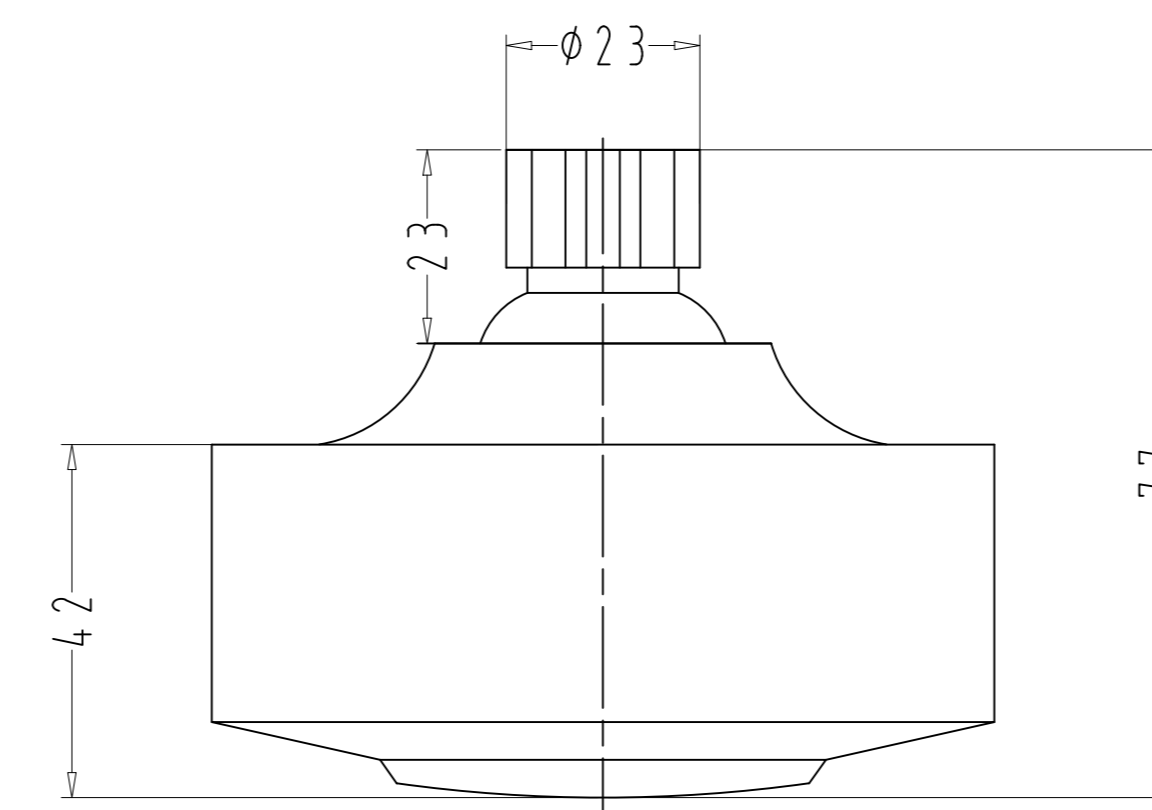
WALL FLANGE



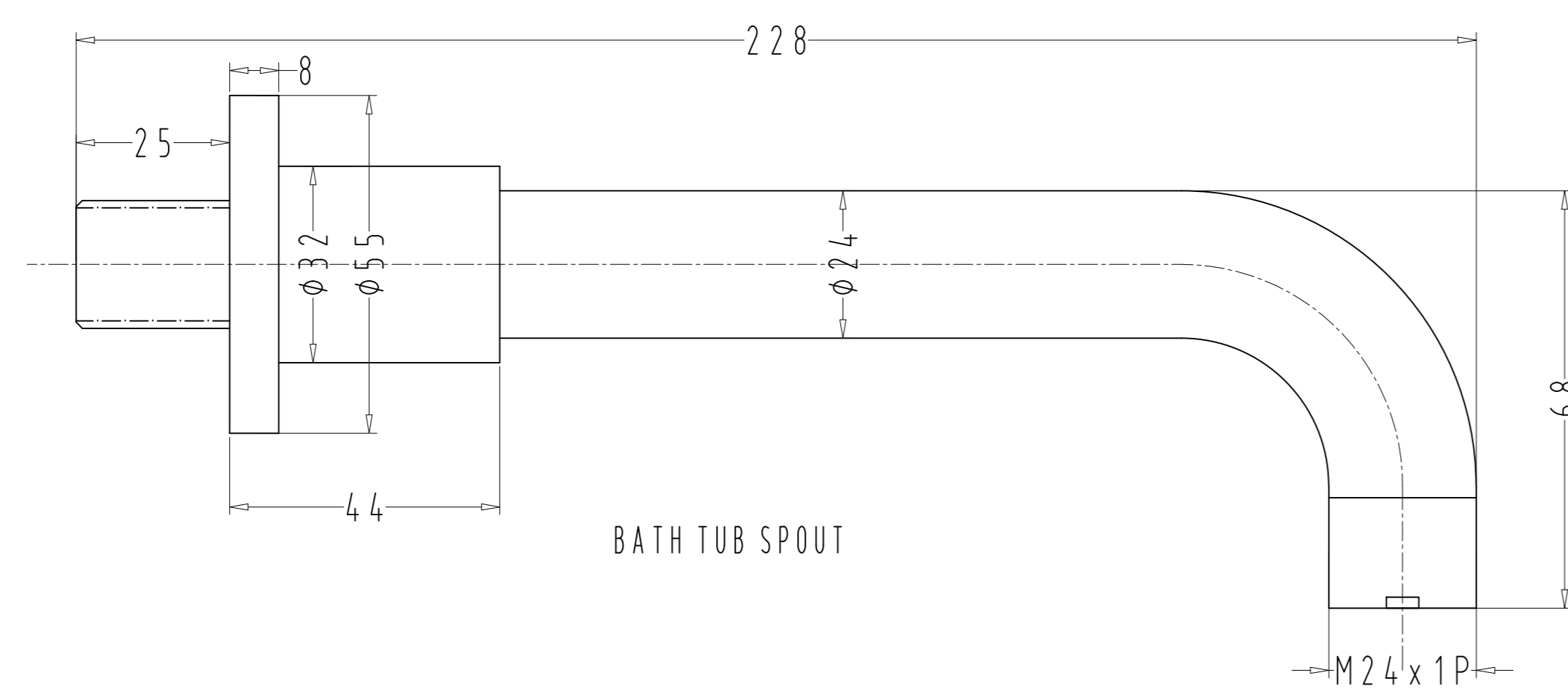
DIVERTOR HANDLE



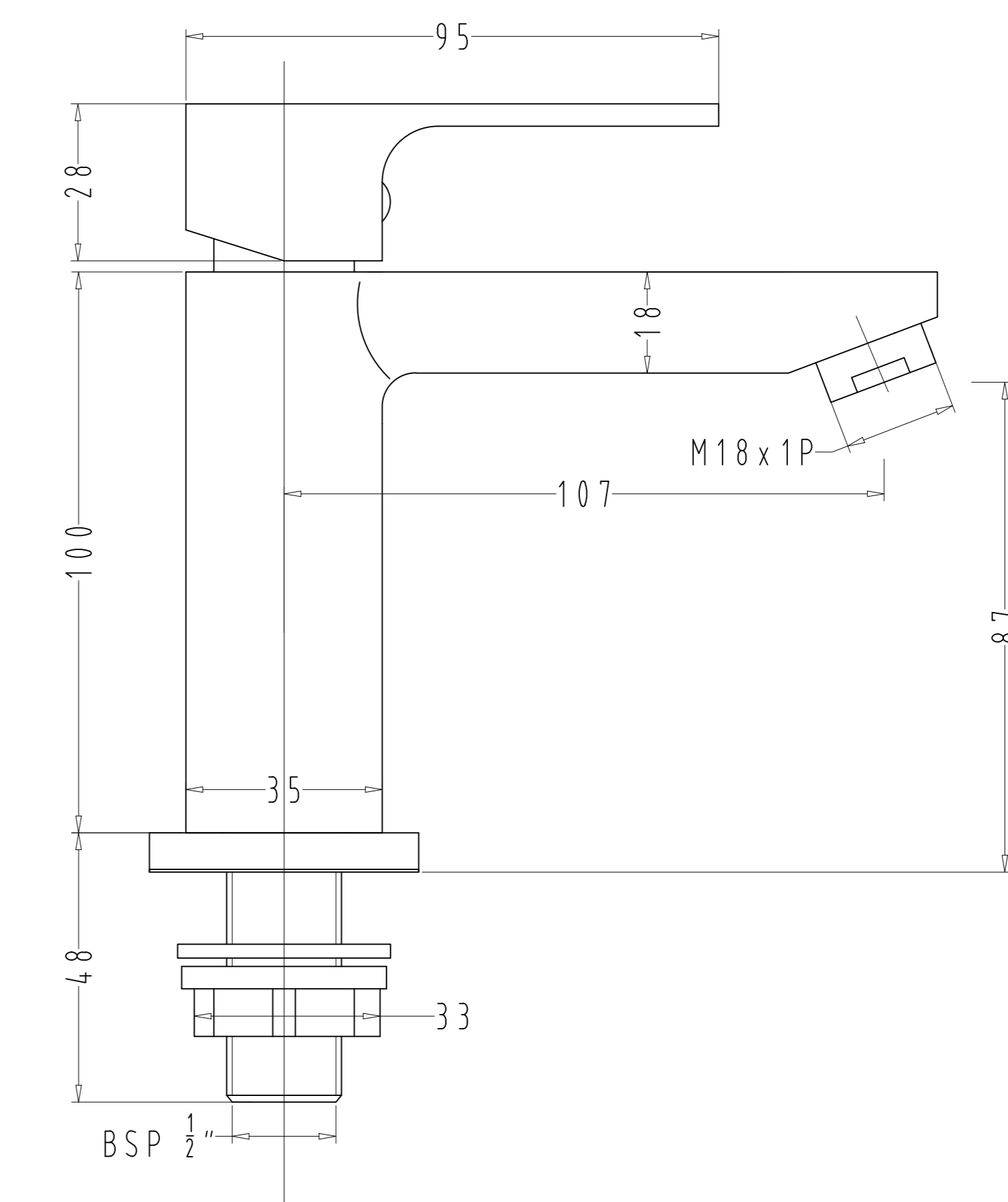
SHOWER ARM



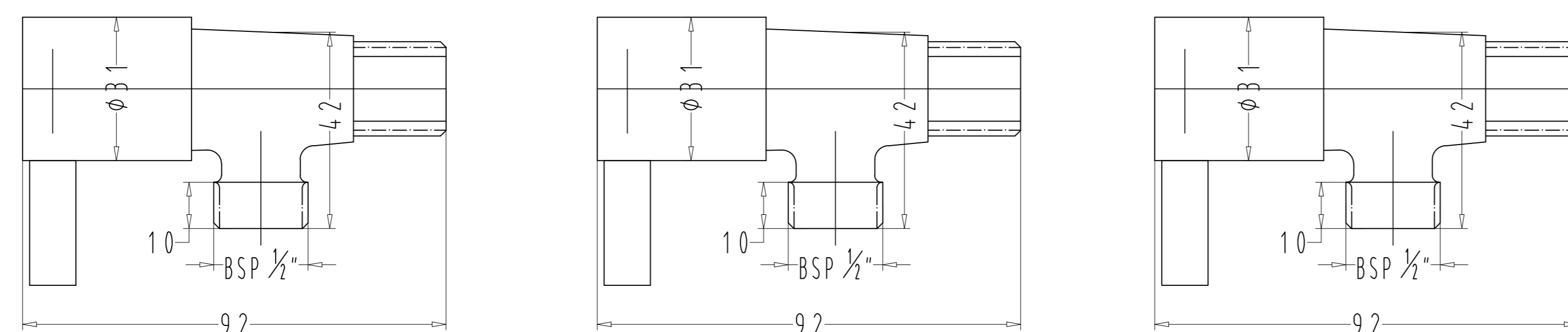
OVAR HEAD SHOWER



BATH TUB SPOUT



PILLAR COCK



05 NOS. ANGLE VALVE

SPLENDID DUO
 CAT. No. F430006
 COMBO SET WITH 3INLET CONCEALED DIVERTOR &
 PILLAR COCK